

APP CRS	Rwy Idg	4300
289°	TDZE	737
	Apt Elev	737

RNAV (GPS) RWY 29

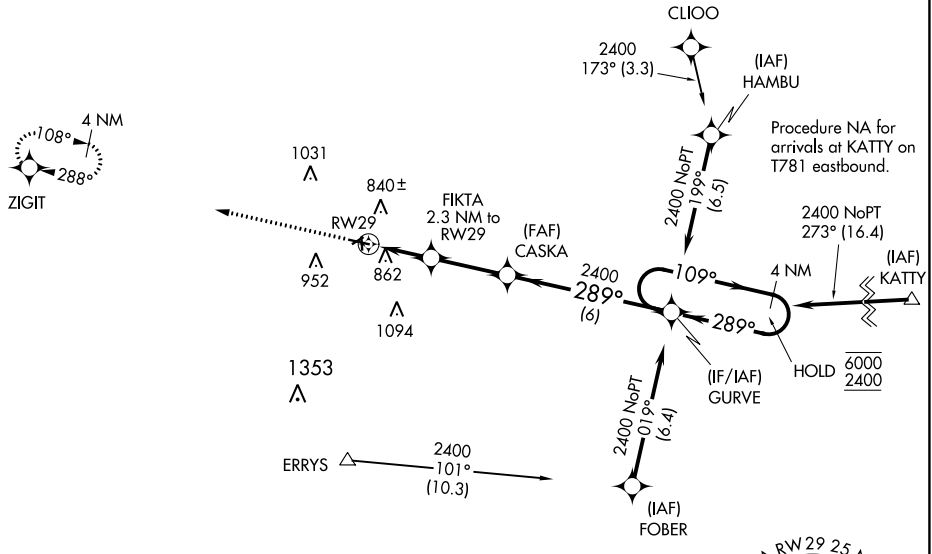
OWOSSO COMMUNITY (RNP)

RNP APCH:

- Circling NA to Rwys 6, 18, 24 and 36. Procedure NA at night. Rwy 29 helicopter visibility reduction below 3/4 SM NA.
- MISSED APPROACH: Climb to 2600 direct ZIGIT and hold.

MISSED APPROACH: Climb to 2600 direct ZIGIT and hold.

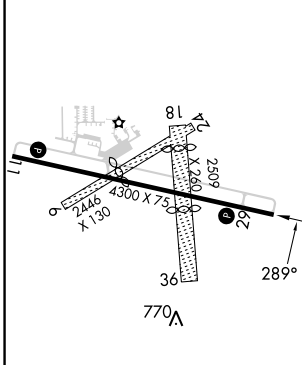
AWOS-3 118.025	GREAT LAKES APP CON * 128.55 257.9	UNICOM 123.0 (CTAF)
--------------------------	--	--------------------------------



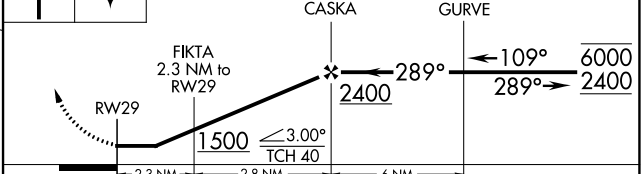
EC-1, 07 SEP 2023 to 05 OCT 2023

EC-1, 07 SEP 2023 to 05 OCT 2023

ELEV 737	TDZE 737
----------	----------



2600 ZIGIT VGSi and descent angles not coincident (VGSi Angle 4.00/TCH 20). 4 NM Holding Pattern



CATEGORY	A	B	C	D
LNAV MDA	1120-1	383 (400-1)	1120-1 1/8 383 (400-1 1/8)	NA
CIRCLING	1220-1 483 (500-1)	1260-1 523 (600-1)	1400-1 3/4 663 (700-1 3/4)	NA

REIL Rwys 11 and 29
MIRL Rwy 11-29