

APP CRS	Rwy Idg	5001
108°	TDZE	790
	Apt Elev	790

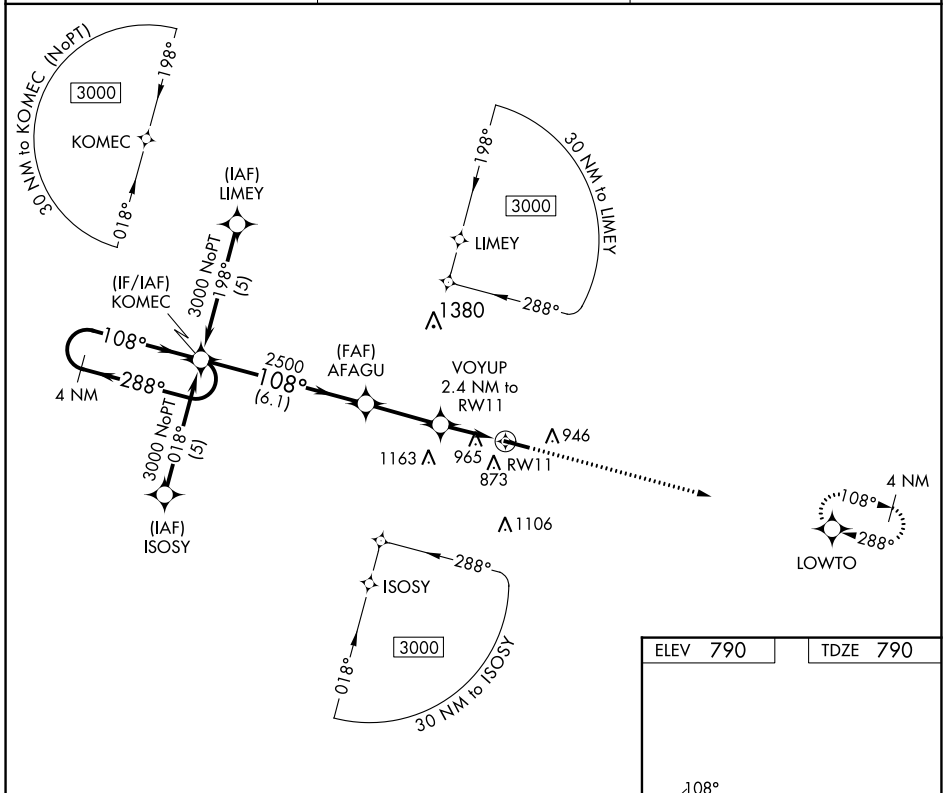
RNAV (GPS) RWY 11

FULTON COUNTY (R/C/R)

⚠ DME/DME RNP-0.3 NA. Visibility reduction by helicopters NA. When local altimeter setting not received, use Goshen altimeter setting: increase all MDA 100 feet and visibility LNAV Cats C and D and Circling Cats C and D ¼ SM.

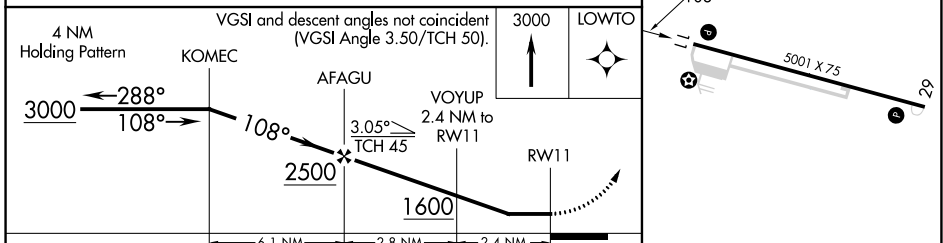
⚠ MISSED APPROACH: Climb to 3000 direct LOWTO and hold.

AWOS-3 118.775	SOUTH BEND APP CON ★ 132.05 257.8	UNICOM 122.7 (CTAF) 0
--------------------------	---	---------------------------------

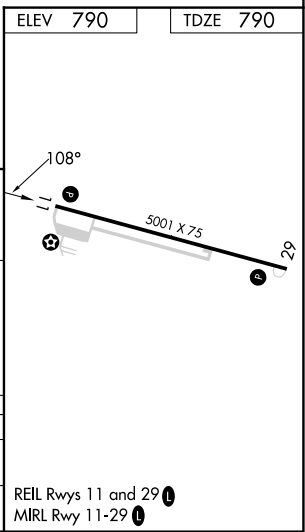


EC-2, 07 SEP 2023 to 05 OCT 2023

EC-2, 07 SEP 2023 to 05 OCT 2023



CATEGORY	A	B	C	D
LNAV MDA	1220-1	430 (500-1)	1220-1¼ 430 (500-1¼)	1220-1½ 430 (500-1½)
CIRCLING	1280-1 490 (500-1)	1360-1 570 (600-1)	1480-2 690 (700-2)	1620-2¾ 830 (900-2¾)



REIL Rwy 11 and 29 0
MIRL Rwy 11-29 0