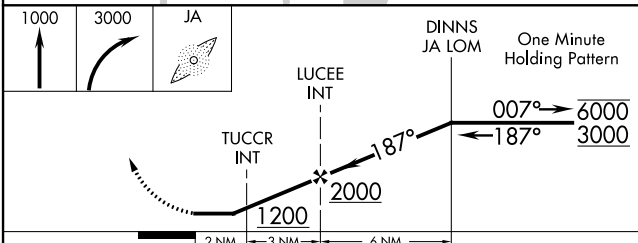
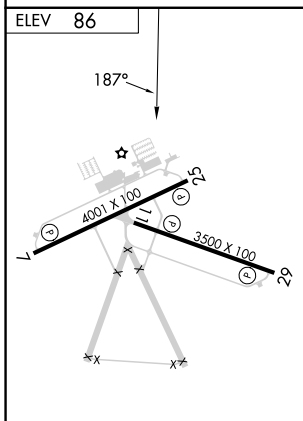
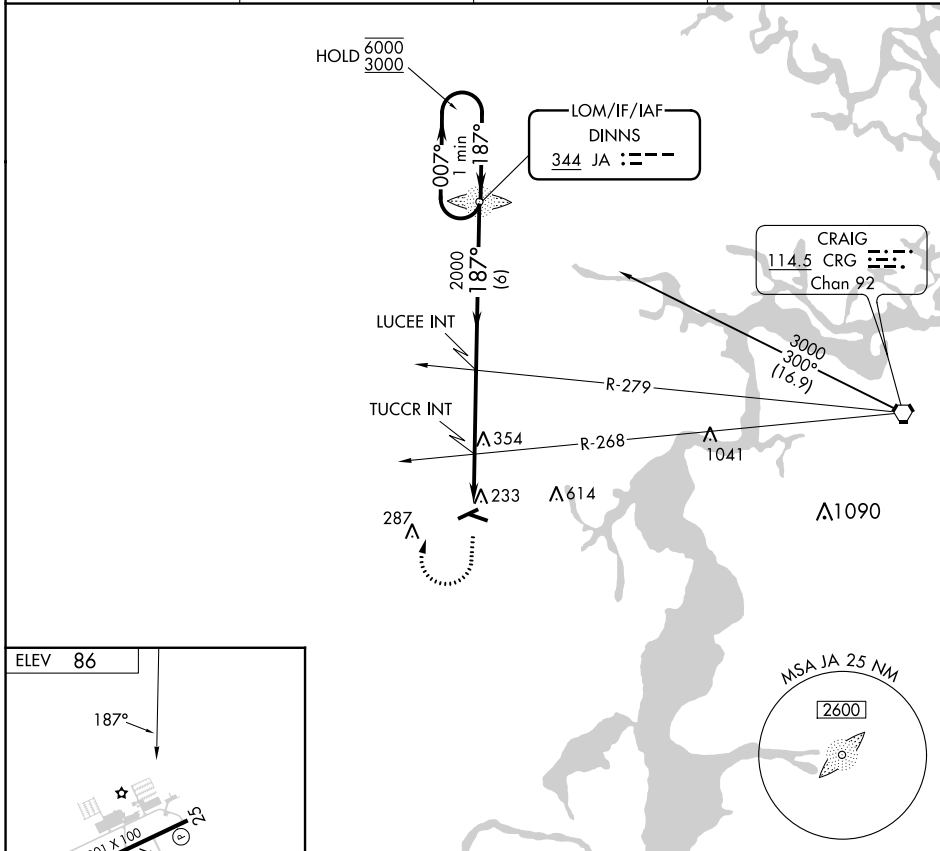


LOM JA <b>344</b>	APP CRS <b>187°</b>	Rwy Idg TDZE Apt Elev	<b>N/A</b> <b>N/A</b> <b>86</b>
----------------------	------------------------	-----------------------------	---------------------------------------

**NDB-A**  
HERLONG RECREATIONAL (HE'G)

**⚠** Circling to Rwy 11, 29 NA at night. Rwy 7, 11, 25 helicopter visibility reduction below 3/4 SM NA. **⚠** MISSED APPROACH: Climb to 1000 then climbing right turn to 3000 direct JA LOM and hold.

AWOS-3 <b>119.275</b>	JACKSONVILLE APP CON <b>127.775 377.075</b>	GCO <b>121.725</b>	UNICOM <b>123.0 (CTAF) 0</b>
--------------------------	--	-----------------------	---------------------------------



FAF to MAP 5 NM					
Knots	60	90	120	150	180
Min:Sec	5:00	3:20	2:30	2:00	1:40
<b>CIRCLING</b>	720-1 634 (700-1)		980-2 <sup>3</sup> / <sub>4</sub> 894 (900-2 <sup>3</sup> / <sub>4</sub> )		980-3 894 (900-3)

SE-3, 30 NOV 2023 to 28 DEC 2023

SE-3, 30 NOV 2023 to 28 DEC 2023