

APP CRS <b>275°</b>	Rwy Idg TDZE Apt Elev	<b>4700</b> <b>747</b> <b>747</b>
------------------------	-----------------------------	---

# RNAV (GPS) RWY 27

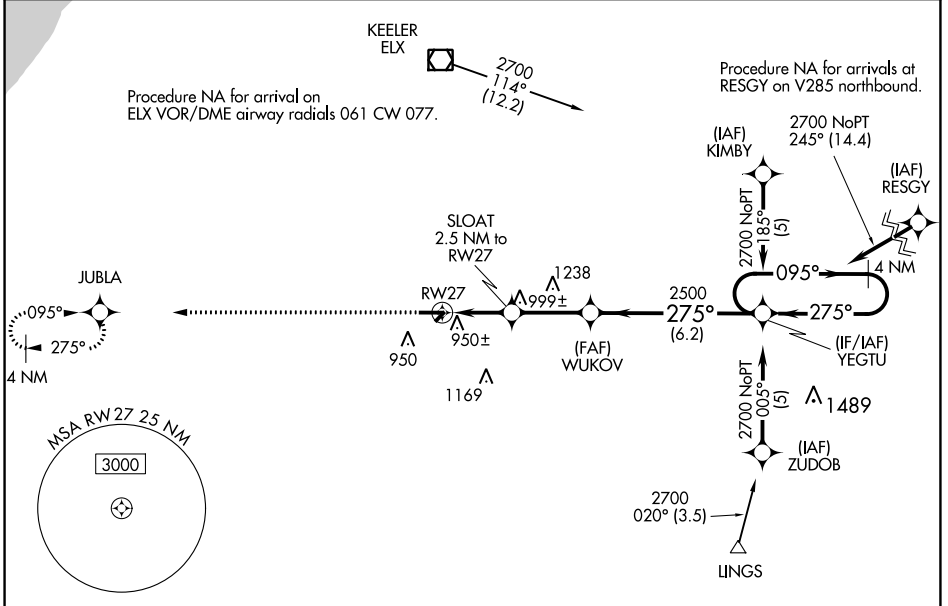
DOWAGIAC MUNI (C91)

**NA** DME/DME RNP-0.3 NA. Procedure NA at night. Visibility reduction by helicopters NA. Obtain local altimeter setting on CTAF, when not received, use Elkhart altimeter setting and increase all MDA 60 feet; increase Circling Cats C and D visibility ¼ SM.

MISSED APPROACH: Climb to 2500 direct JUBLA and hold.

SOUTH BEND APP CON ★ **118.55 257.8**

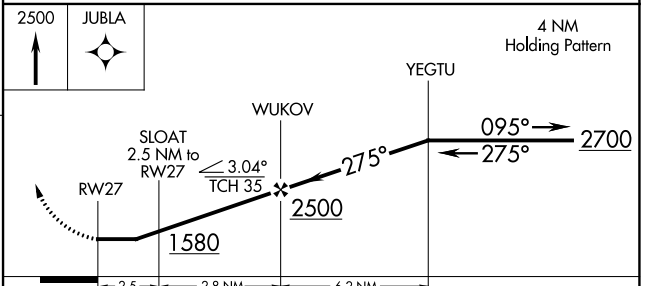
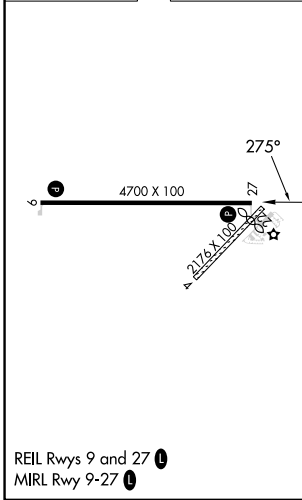
UNICOM **122.8 (CTAF) 0**



EC-1, 30 NOV 2023 to 28 DEC 2023

EC-1, 30 NOV 2023 to 28 DEC 2023

ELEV 747	TDZE 747
----------	----------



CATEGORY	A	B	C	D
LNAV MDA	1260-1 513 (600-1)		1260-1½ 513 (600-1½)	1260-1¾ 513 (600-1¾)
CIRCLING	1320-1 573 (600-1)		1480-2 733 (800-2)	1480-2¼ 733 (800-2¼)