

VORTAC LFT	APP CRS	Rwy Idg	5210
109.8	343°	TDZE	74
Chan 35		Apt Elev	75

VOR RWY 36

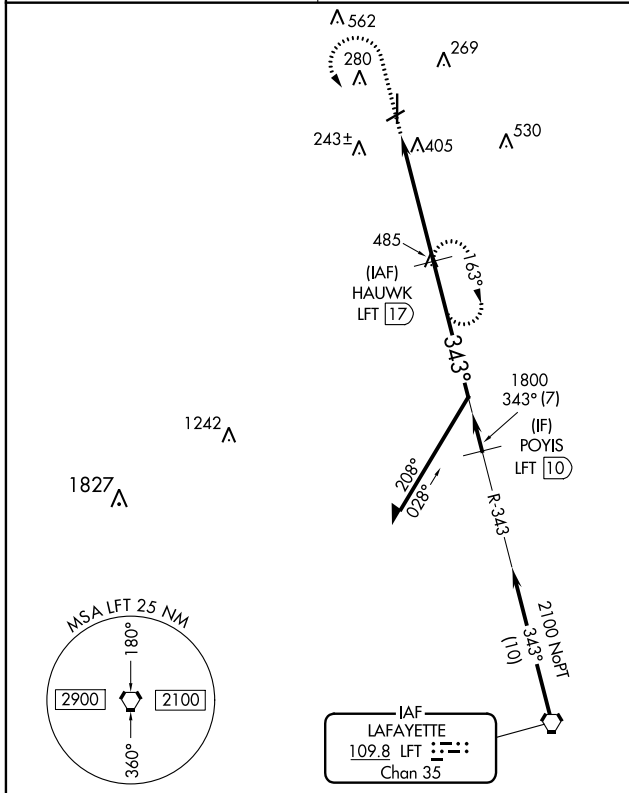
ST LANDRY PARISH (OPL)

DME required.

- ▼ Circling Rwy 6, 24 NA at night.
- ▲ Rwy 36 helicopter visibility reduction below 3/4 SM NA.

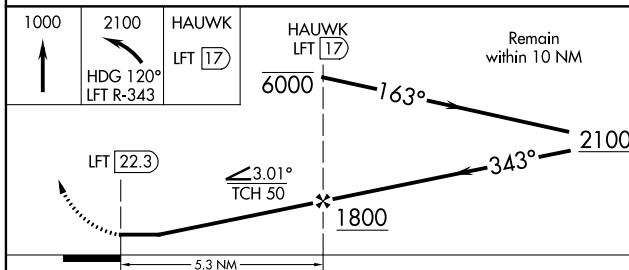
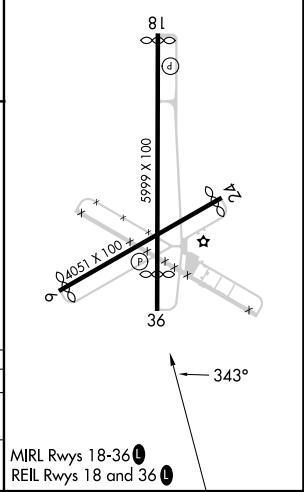
MISSED APPROACH: Climb to 1000 then climbing left turn to 2100 on heading 120° and LFT R-343 to HAUWK/17 DME and hold.

AWOS-3PT 118.775	LAFAYETTE APP CON* 128.7 268.7	UNICOM 123.0 (CTAF) 0
----------------------------	--	---------------------------------



Procedure NA for arrivals at LFT VORTAC on V559 southbound.

ELEV 75	TDZE 74
----------------	----------------



CATEGORY	A	B	C	D
S-36	720-1 646 (700-1)	720-1 1/4 646 (700-1 1/4)	720-1 7/8 646 (700-1 7/8)	720-2 646 (700-2)
CIRCLING	780-1 705 (800-1)	780-1 1/4 705 (800-1 1/4)	780-2 705 (800-2)	920-2 3/4 845 (900-2 3/4)

SC-4, 30 NOV 2023 to 28 DEC 2023

SC-4, 30 NOV 2023 to 28 DEC 2023