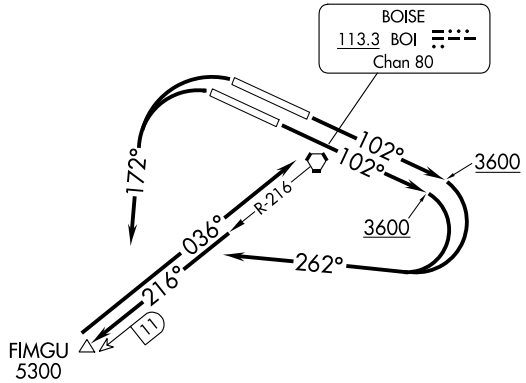


GOWEN FOUR DEPARTURE (OBSTACLE) AL-57 (FAA)

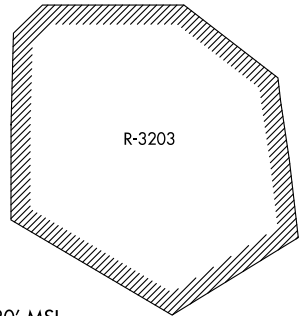
BIG SKY DEP CON
 126.9 351.85 (279°-097°)
 119.6 269.4 (098°-278°)
 D-ATIS
 123.9 290.4
 CLNC DEL
 125.9 323.2
 GND CON
 121.7 348.6
 BOISE TOWER
 118.1 257.8



NOTE: DME required.

TAKEOFF MINIMUMS

- Rwys 28L/R: Standard.
- Rwy 10L: Standard with a minimum climb of 208' per NM to 4300, or 5500-3 for VCOA.
- Rwy 10R: Standard with a minimum climb of 205' per NM to 4300, or 5500-3 for VCOA.



TAKEOFF OBSTACLE NOTES

- Rwy 10L: Navaid 5' from DER, 415' right of centerline, 16' AGL/2880' MSL. Building and general utility beginning 270' from DER, 444' left of centerline, up to 15' AGL/2888' MSL.
- Rwy 10R: Vehicles on taxiway beginning at DER, 455' right of centerline, up to 10' AGL/2869' MSL.
- Rwy 28L: Tree 2048' from DER, 508' left of centerline, 100' AGL/2909' MSL.

NOTE: Chart not to scale.

DEPARTURE ROUTE DESCRIPTION

TAKEOFF RUNWAYS 10L/R: Climb heading 102° to 3600 then climbing right turn heading 262°, thence

TAKEOFF RUNWAYS 28L/R: Climbing left turn heading 172°, thence

. . . . intercept and climb on BOI R-216 outbound to cross FIMGU/BOI 11 DME fix at or above 5300 then on BOI R-216 inbound to cross BOI VORTAC at or above MEA/MCA for assigned route of flight.

VCOA RUNWAYS 10L/R: Obtain ATC approval for VCOA when requesting IFR clearance. Climb in visual conditions to cross Boise Air Trml/Gowen Fld at or above BOI VORTAC MEA/MCA before proceeding on assigned route of flight.