

VORTAC FNT <b>116.9</b> Chan <b>116</b>	APP CRS <b>281°</b>	Rwy ldg <b>4300</b> TDZE <b>736</b> Apt Elev <b>736</b>
---	------------------------	---

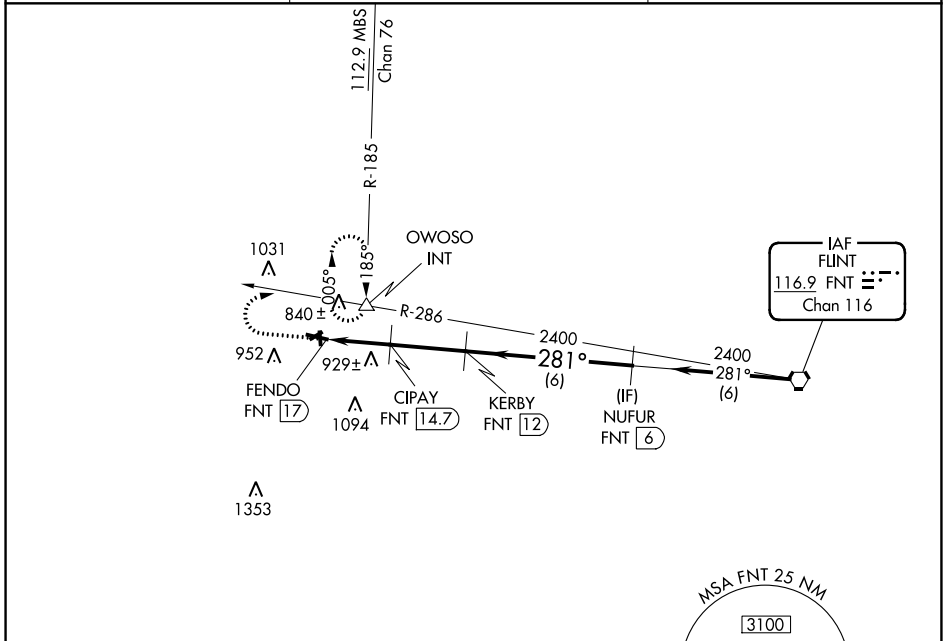
# VOR/DME RWY 29

OWOSSO COMMUNITY (RNP)

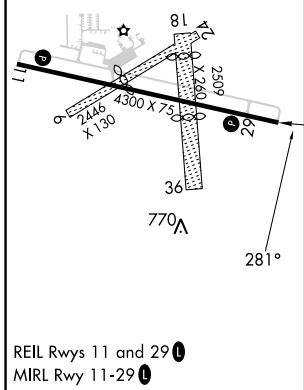
**▼** Circling NA to Rwy 6, 18, 24 and 36. Rwy 29 helicopter visibility reduction below  $\frac{3}{4}$  SM NA. When local altimeter setting not received, use Flint altimeter setting and increase all MDA 60 feet and S-29 Cat C visibility  $\frac{1}{4}$  mile.

**MISSED APPROACH:** Climb to 1900 then climbing right turn to 2700 via FNT VORTAC R-286 to OWOSSO INT and hold.

AWOS-3 <b>118.025</b>	GREAT LAKES APP CON * <b>128.55 257.9</b>	UNICOM <b>123.0</b> (CTAF) <b>0</b>
--------------------------	--	--



ELEV 736	TDZE 736
----------	----------



1900	2700	OWOSSO	VGSi and descent angles not coincident (VGSi Angle 4.00/TCH 20).	
↑	FNT R-286	△	KERBY FNT (12)	NUFUR FNT (6)
FENDO FNT (17)		CIPAY FNT (14.7)	2400	281°
1500		≤ 3.07°	2400	Procedure Turn NA
→ 2.3 NM		→ 2.7 NM	→ 6 NM	
CATEGORY	A	B	C	D
S-29	1180-1	444 (500-1)	1180-1 $\frac{1}{4}$ 444 (500-1 $\frac{1}{4}$ )	NA
<b>☑</b> CIRCLING	1220-1 483 (500-1)	1260-1 523 (600-1)	1400-1 $\frac{3}{4}$ 663 (700-1 $\frac{3}{4}$ )	NA

EC-1, 21 MAR 2024 to 18 APR 2024

EC-1, 21 MAR 2024 to 18 APR 2024