

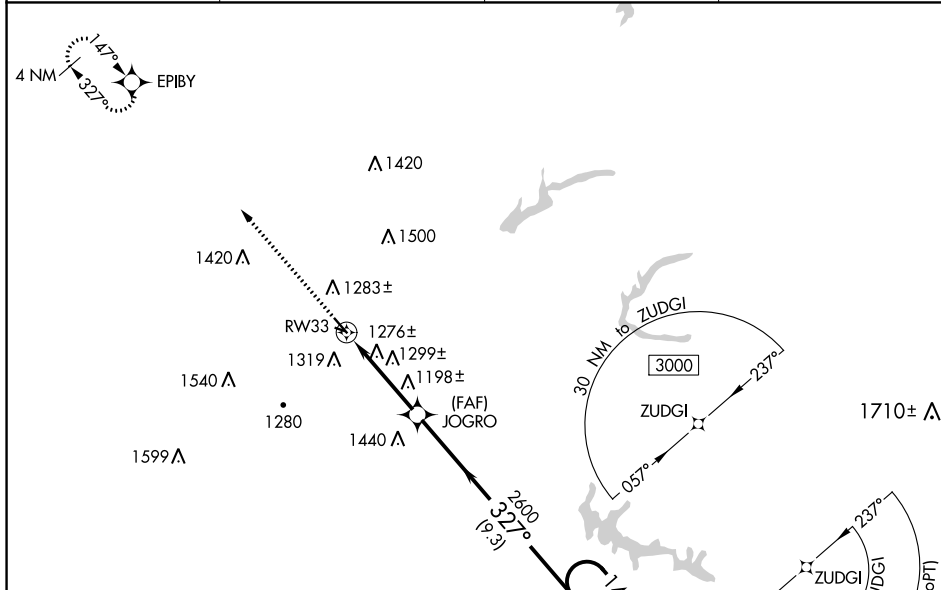
WAAS CH <b>70343</b> <b>W33A</b>	APP CRS <b>327°</b>	Rwy Idg TDZE <b>893</b> Apt Elev <b>894</b>	<b>3634</b>
--	------------------------	---	-------------

# RNAV (GPS) RWY 33

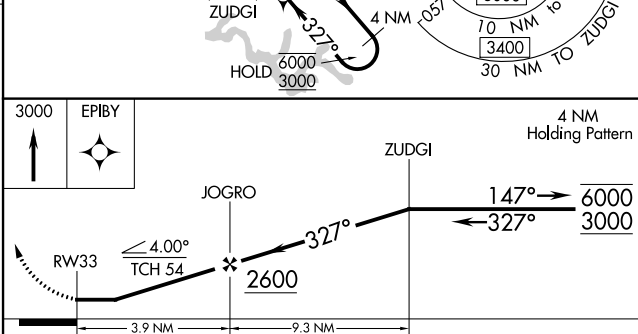
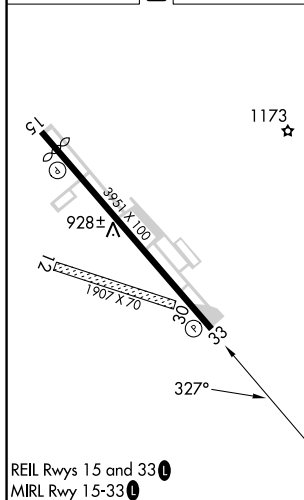
HARRY CLEVER FLD (PHD)

RNP APCH.	<p><b>▽</b> Circling NA to Rwy 12 and 30. Rwy 33 helicopter visibility reduction below 1 SM NA. Procedure NA at night.</p>	MISSED APPROACH: Climb to 3000 direct EPIBY and hold.
-----------	--	---

ASOS <b>121.425</b>	CLEVELAND APP CON* <b>125.5 371.875</b>	UNICOM <b>122.8</b> (CTAF)	<b>123.3</b> <b>①</b>
------------------------	--	-------------------------------	-----------------------



ELEV 894	<b>D</b>	TDZE 893
----------	----------	----------



CATEGORY	A	B	C	D
LP MDA	1540-1	647 (700-1)		NA
LNAV MDA	1560-1	667 (700-1)		NA
<b>C</b> CIRCLING	1620-1 726 (800-1)	1640-1 746 (800-1)		NA

EC-2, 21 MAR 2024 to 18 APR 2024

EC-2, 21 MAR 2024 to 18 APR 2024