

(SNIDR1.SNIDR) 24025

SNIDR ONE DEPARTURE (RNAV)

AL-371 (FAA)

KELLY FLD (SKF)
SAN ANTONIO, TEXAS

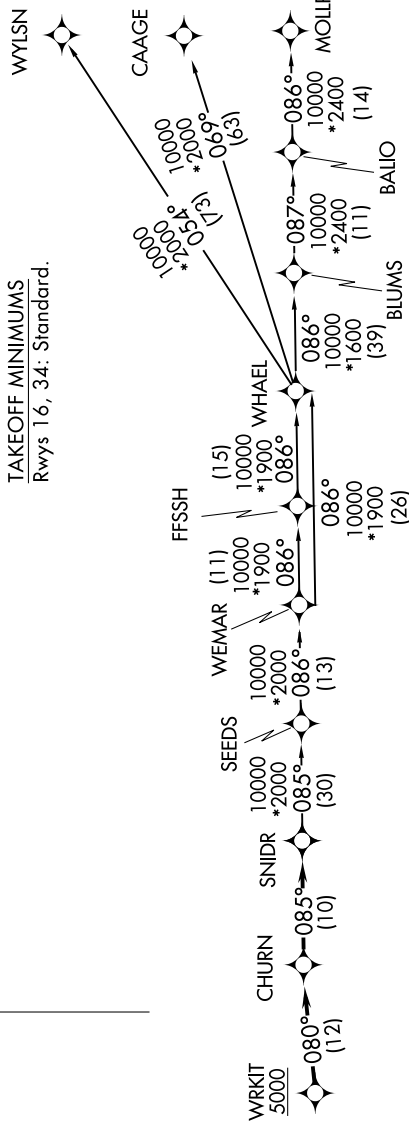
SC-3, 18 APR 2024 to 16 MAY 2024

**TOP ALTITUDE:
ASSIGNED BY ATC**

RNAV 1 - DME/DME IRU or GPS.
RADAR required.

SAN ANTONIO DEP CON
123.7 290.225
ATIS
120.45 273.5
GND CON
121.8 289.4
KELLY TOWER
124.3 322.35

TAKEOFF MINIMUMS
Rwys 16, 34: Standard.

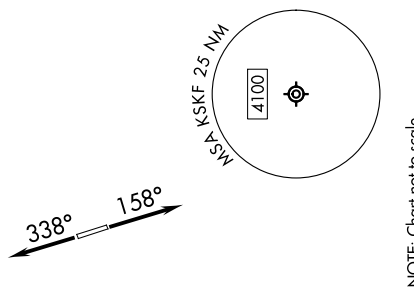


DEPARTURE ROUTE DESCRIPTION

TAKEOFF RUNWAY 16: Climb on heading 158° or as assigned by ATC, for vectors to WRKIT, thence . . .
TAKEOFF RUNWAY 34: Climb on heading 338° or as assigned by ATC, for vectors to WRKIT, thence . . .

. . . on track 080° to CHURN, then on track 085° to SNIDR, then on transition. Maintain ATC assigned altitude.

BLUMS TRANSITION (SNIDR1.BLUMS)
 CAAGE TRANSITION (SNIDR1.CAAGE)
 FFSSH TRANSITION (SNIDR1.FFSSH)
 MOLLR TRANSITION (SNIDR1.MOLLR)
 SEEDS TRANSITION (SNIDR1.SEEDS)
 WEMAR TRANSITION (SNIDR1.WEMAR)
 WHAEL TRANSITION (SNIDR1.WHAEL)
 WYLSN TRANSITION (SNIDR1.WYLSN)



NOTE: Chart not to scale.

SNIDR ONE DEPARTURE (RNAV)
(SNIDR1.SNIDR) 25JAN24

SAN ANTONIO, TEXAS
KELLY FLD (SKF)

SC-3, 18 APR 2024 to 16 MAY 2024