

APP CRS	Rwy Idg	9000
095°	TDZE	1000
	Apt Elev	1026

RNAV (RNP) Z RWY 10

HARTSFIELD-JACKSON ATLANTA INTL (ATL)

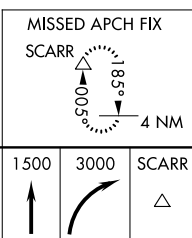
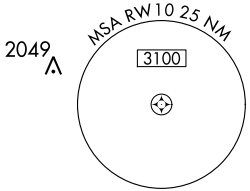
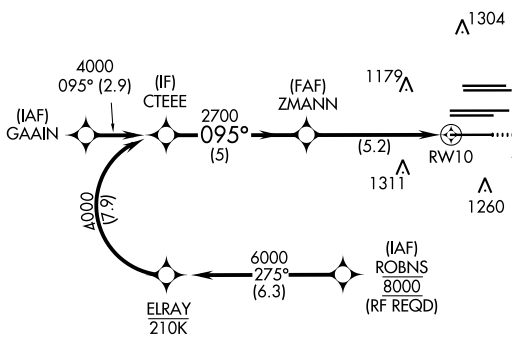
▼ For uncompensated Baro-VNAV systems, procedure NA below -8°C (18°F) or above 54°C (130°F). GPS required. Simultaneous approach authorized; arrival from ROBNS NA. For inop ALS, increase RNP 0.11 DA all Cats visibility to RVR 4500.



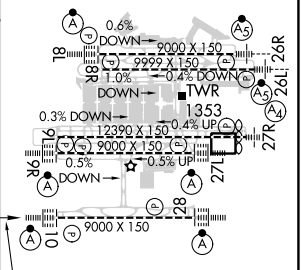
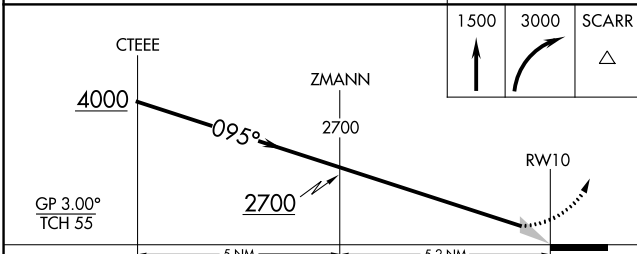
MISSED APPROACH: Climb to 1500 then climbing right turn to 3000 direct SCARR and hold.

D-ATIS ARR 119.65	ATLANTA APP CON 127.9 379.9	ATLANTA TOWER				ALL RWYS	GND CON	ALL RWYS
DEP 125.55		8L-26R	8R-26L	9L-27R	9R-27L	10-28	(8L-26R,8R-26L) (9L-27R,9R-27L)	10-28
		119.1	125.325	123.85	119.3	119.5	121.9	121.75
							121.65	254.4

2049 Δ	CLNC DEL	CPDLC
2049 Δ	118.1	



ELEV 1026	TDZE 1000
-----------	-----------



CATEGORY	A	B	C	D
RNP 0.11 DA		1290/24	290 (300-1/2)	
RNP 0.30 DA		1456/50	456 (500-1)	

AUTHORIZATION REQUIRED

HIRL all Rwys
TDZ/CL Rwys 8L, 9R,
10, 26R, 27L and 28

SE-4, 13 JUN 2024 to 11 JUL 2024

SE-4, 13 JUN 2024 to 11 JUL 2024