

LOC I-DAY 108.3	APP CRS 185°	Rwy Idg 8502
		TDZE 996
		Apt Elev 1009

ILS or LOC RWY 18

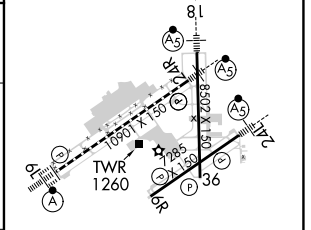
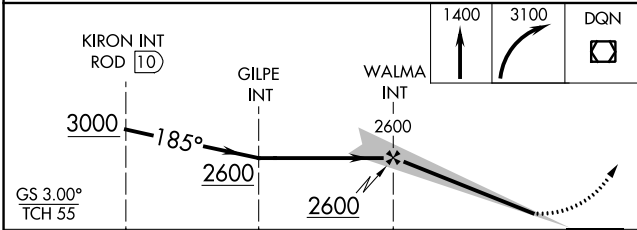
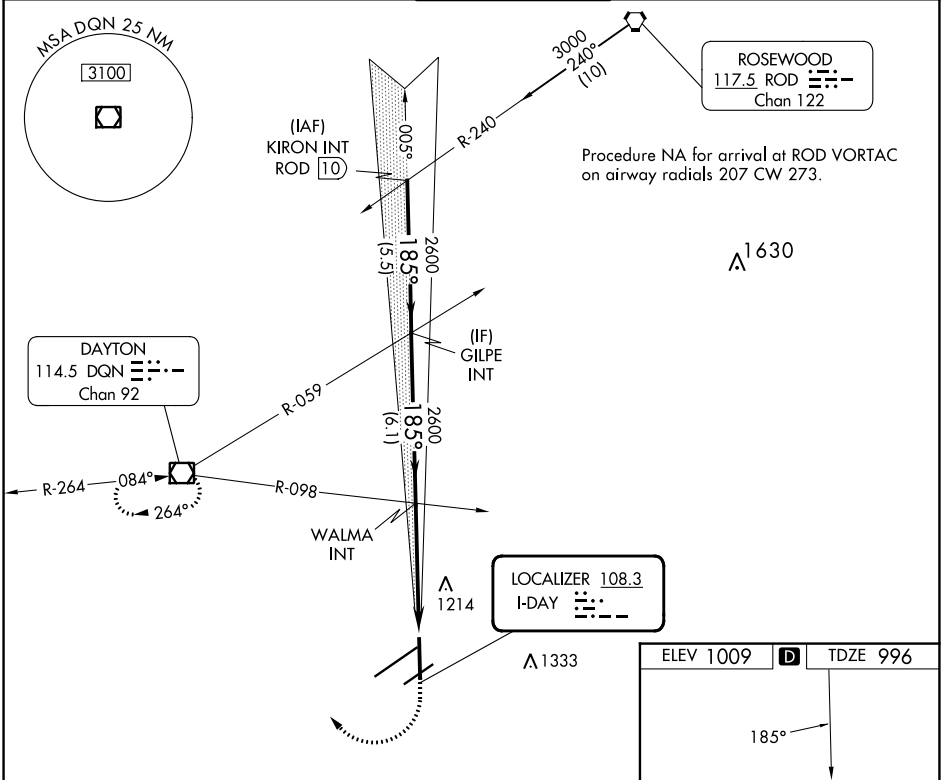
JAMES M COX DAYTON INTL (DAY)

▼ For inop ALS, increase S-LOC 18 Cat C/D visibility to RVR 6000.
 ** RVR 1800 authorized with use of FD or AP or HUD to DA.

MALSR

MISSED APPROACH: Climb to 1400 then climbing right turn to 3100 direct DQN VOR/DME and hold.

ATIS 125.8	COLUMBUS APP CON 134.45 323.15	DAYTON TOWER 119.9 257.7	GND CON 121.9	CINC DEL 121.75
----------------------	--	------------------------------------	-------------------------	---------------------------



	ELEV 1009		TDZE 996											
	<table border="1"> <tr> <td>1400</td> <td>3100</td> <td>DQN</td> </tr> <tr> <td>↑</td> <td>↷</td> <td></td> </tr> </table>				1400	3100	DQN	↑	↷					
1400	3100	DQN												
↑	↷													
	<table border="1"> <tr> <td>GS 3.00°</td> <td>5.5 NM</td> <td>6.1 NM</td> <td>4.9 NM</td> <td></td> </tr> <tr> <td>TCH 55</td> <td></td> <td></td> <td></td> <td></td> </tr> </table>				GS 3.00°	5.5 NM	6.1 NM	4.9 NM		TCH 55				
GS 3.00°	5.5 NM	6.1 NM	4.9 NM											
TCH 55														
CATEGORY	A	B	C	D										
S-ILS 18 **	1196/24 200 (200-½)													
S-LOC 18	1400/24	404 (400-½)	1400/40	404 (400-¾)										
CIRCLING	1580-1	571 (600-1)	1580-1½ 571 (600-1½)	1640-2 631 (700-2)										

HIRL all Rwys
 TDZ/CL Rwy 6L
 REIL Rwys 6R and 36

FAF to MAP 4.9 NM

Knots	60	90	120	150	180
Min:Sec	4:54	3:16	2:27	1:58	1:38

EC-2, 13 JUN 2024 to 11 JUL 2024

EC-2, 13 JUN 2024 to 11 JUL 2024