


LOC I-DAB 109.7	APP CRS 070°	Rwy Idg TDZE Apt Elev	9810 30 34
---------------------------	------------------------	-----------------------------	---------------------------------------

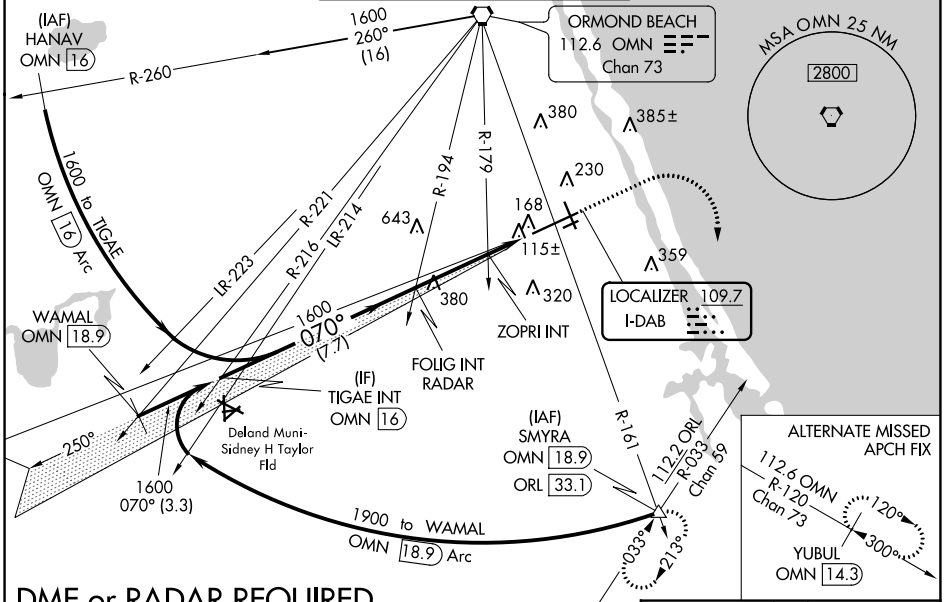
ILS or LOC RWY 7L

DAYTONA BEACH INTL (DAB)

⚠ Inoperative table does not apply to S-ILS 07L. Helicopter visibility reduction below RVR 4000 NA. For inop MALSR, increase S-LOC 07L Cat A and B and ZOPRI fix minimums S-LOC 07L all Cats visibility to RVR 5500. Autopilot coupled approach NA below 535.

MALSR

MISSED APPROACH: Climb to 700 then climbing right turn to 3000 on heading 175° and ORL VORTAC R-033 to SMYRA/ORL 33.1 DME and hold.

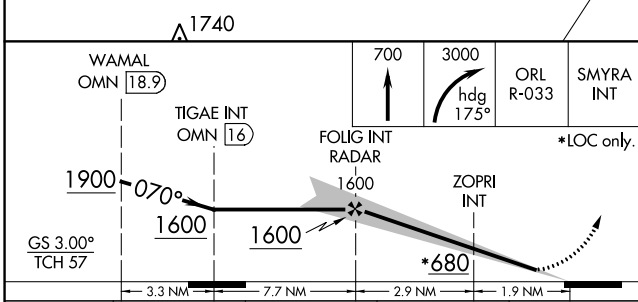
ATIS 132.875	DAYTONA APP CON 125.8 269.075	DAYTONA TOWER 120.7 257.8	GND CON 121.9 348.6	CLNC DEL 119.3
------------------------	---	-------------------------------------	-------------------------------	--------------------------



SE-3, 13 JUN 2024 to 11 JUL 2024

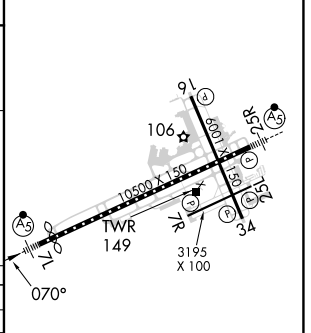
SE-3, 13 JUN 2024 to 11 JUL 2024

DME or RADAR REQUIRED



ELEV 34	D TDZE 30
---------	------------------

CATEGORY	A	B	C	D
S-ILS 07L	230/40		200 (200-¾)	
S-LOC 07L	680/40	650 (700-¾)	680-1⅞	650 (700-1⅞)
C CIRCLING	680-1	646 (700-1)	646 (700-1⅞)	666 (700-2)
ZOPRI FIX MINIMUMS (DUAL VOR RECEIVERS REQUIRED)				
S-LOC 07L	380/40		350 (400-¾)	
C CIRCLING	540-1	506 (600-1)	680-1¼ 646 (700-1¼)	700-2 666 (700-2)



TDZ/CL Rwy 7L					
HIRL Rwy 7L-25R					
MIRL Rwy 7R-25L and 16-34					
REIL Rwy 7R, 16, 25L and 34					
FAF to MAP 4.8 NM					
Knots	60	90	120	150	180
Min:Sec	4:48	3:12	2:24	1:55	1:36