

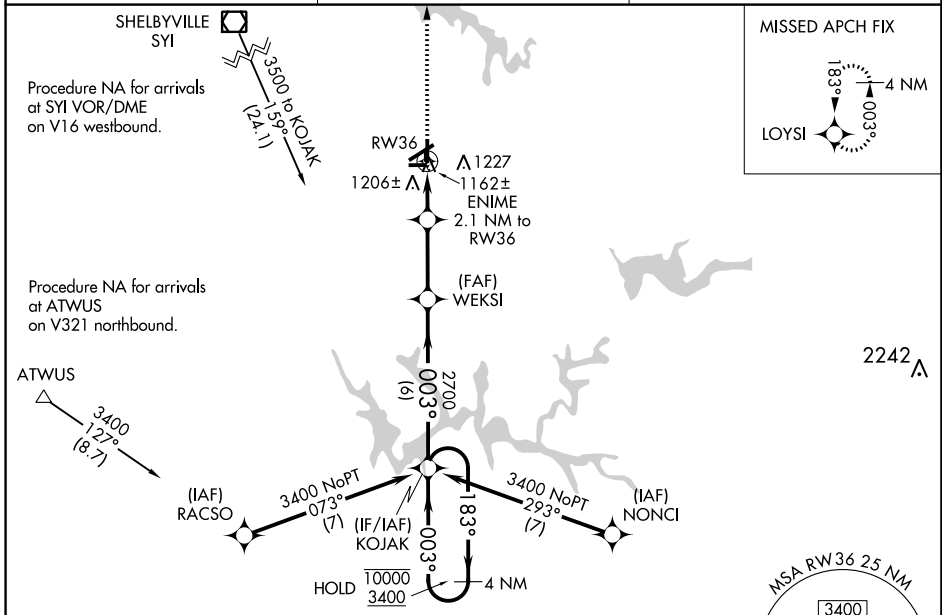
WAAS CH 82424 W36A	APP CRS 003°	Rwy Idg TDZE Apt Elev	4205 1082 1084
--	------------------------	-----------------------------	---

RNAV (GPS) RWY 36

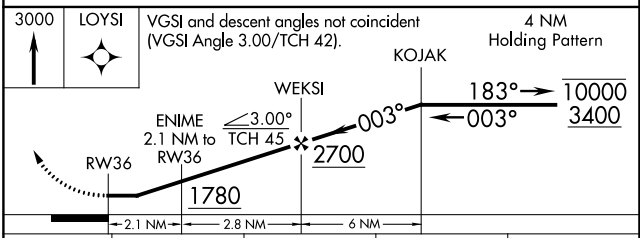
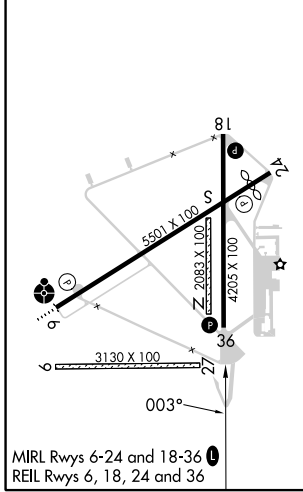
TULLAHOMA RGNL/WM NORTHERN FLD (THA)

RNP APCH - GPS.	<p>∇ Circling NA to Rwys 9 and 27.</p> <p>⚠ Rwy 36 helicopter visibility reduction below 1 SM NA.</p> <p>Rwy 36 Straight-In and Circling minimums NA at night.</p>	MISSED APPROACH: Climb to 3000 direct LOYSI and hold.
-----------------	--	---

AWOS-3 128.325	MEMPHIS CENTER 128.15 323.125	UNICOM 123.0 (CTAF) 📶
--------------------------	---	--



ELEV 1084	TDZE 1082
-----------	-----------



CATEGORY	A	B	C	D
LP MDA	1460-1		378 (400-1)	
LNAV MDA	1460-1		378 (400-1)	
C CIRCLING	1540-1 456 (500-1)	1580-1 496 (500-1)	1620-1½ 536 (600-1½)	1640-2 556 (600-2)

SE-1, 13 JUN 2024 to 11 JUL 2024

SE-1, 13 JUN 2024 to 11 JUL 2024