

VORTAC HQM <b>117.7</b> Chan <b>124</b>	APP CRS <b>062°</b>	Rwy Idg <b>5000</b> TDZE <b>18</b> Apt Elev <b>18</b>
---	------------------------	---

# VOR RWY 6

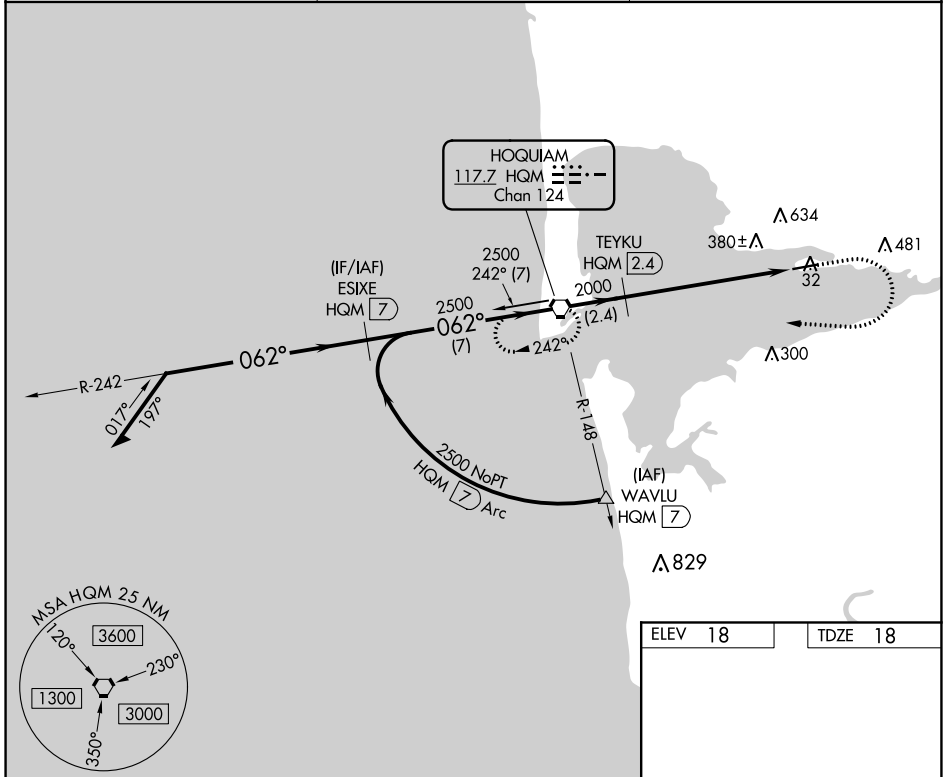
BOWERMAN (HQM)

DME required.

**⚠** Circling NA northwest of Rwy 6-24. Rwy 6 helicopter visibility reduction below 1 SM NA. Straight-in Rwy 6 NA at night, Circling Rwy 6 NA at night.

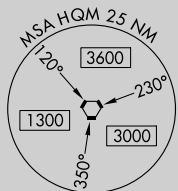
MISSED APPROACH: Climb to 800 then climbing right turn 2500 direct HQM VORTAC and hold, continue climb-in-hold to 2500.

ASOS <b>135.775</b>	SEATTLE CENTER <b>128.3 269.0</b>	UNICOM <b>122.7 (CTAF) 0</b>
------------------------	--------------------------------------	---------------------------------

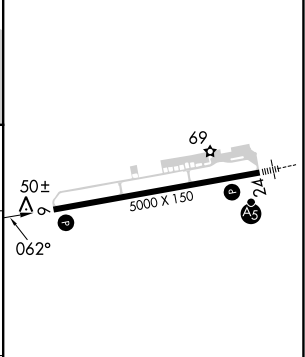
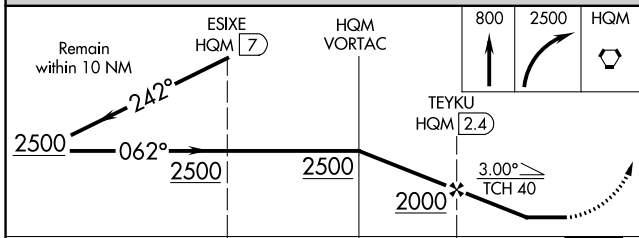


NW-1, 13 JUN 2024 to 11 JUL 2024

NW-1, 13 JUN 2024 to 11 JUL 2024



ELEV <b>18</b>	TDZE <b>18</b>
----------------	----------------



CATEGORY	A	B	C	D
S-6	640-1	622 (700-1)	640-1¾	622 (700-1¾)
CIRCLING	640-1	622 (700-1)	800-2¼ 782 (800-2¼)	840-2¾ 822 (900-2¾)

REIL Rwy 6 0	HIRL Rwy 6-24 0				
FAF to MAP 6.1 NM					
Knots	60	90	120	150	180
Min:Sec	6:06	4:04	3:03	2:26	2:02