

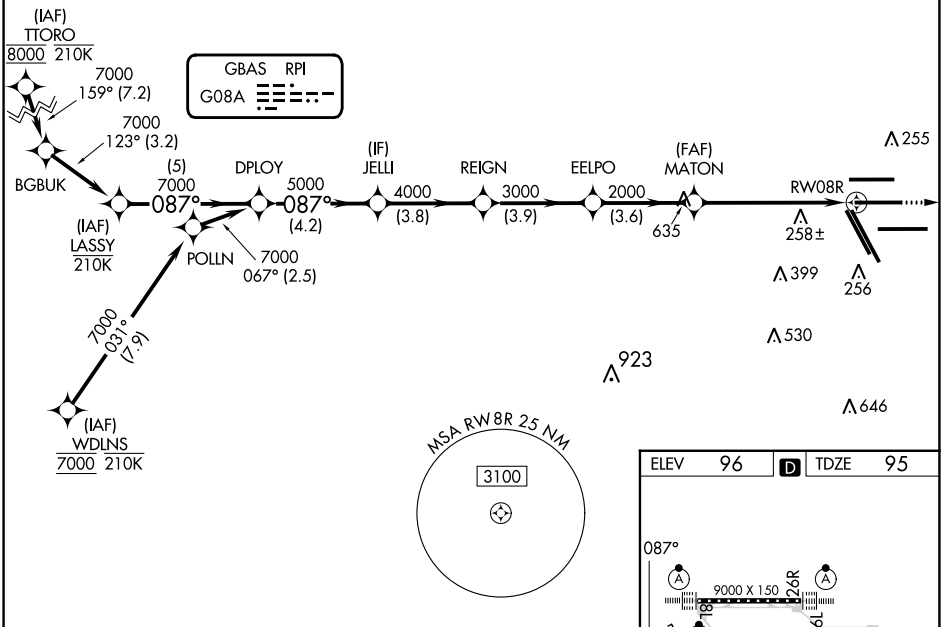
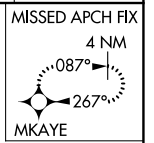
GBAS CH 20251 G08A	APP CRS 087°	Rwy Idg 9402 TDZE 95 Apt Elev 96
--	------------------------	---

GLS RWY 8R

GEORGE BUSH INTCNL/HOUSTON (IAH)

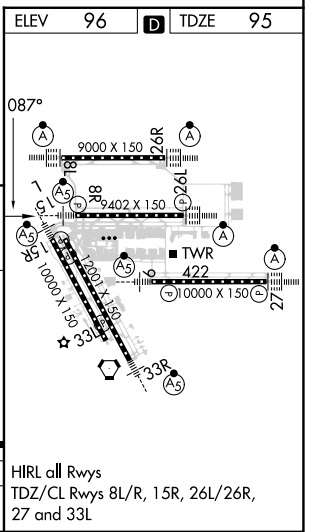
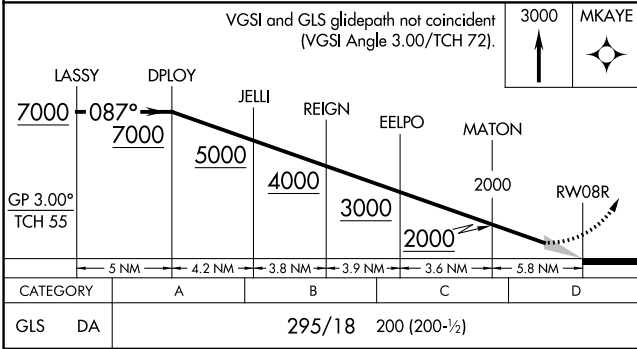
RNP APCH - GPS.		MALS R	MISSED APPROACH: Climb to 3000 direct MKAYE and hold.	
<p>Simultaneous approach authorized. Use of FD or AP required during simultaneous operations. Autopilot coupled approach NA below 295.</p>				

D-ATIS 124.05	HOUSTON APP CON 120.05 379.1 EAST 124.35 316.15 WEST	HOUSTON TOWER 125.35 290.2	GND CON 118.575	CLNC DEL 128.1	CPDLC
-------------------------	--	--------------------------------------	---------------------------	--------------------------	-------



SC-5, 13 JUN 2024 to 11 JUL 2024

SC-5, 13 JUN 2024 to 11 JUL 2024



GLS RWY 8R