

WAAS CH 86229 W18A	APP CRS 179°	Rwy ldg TDZE Apt Elev	5849 71 75
--	------------------------	-----------------------------	---------------------------------------

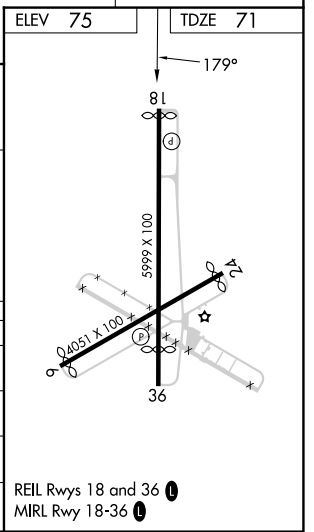
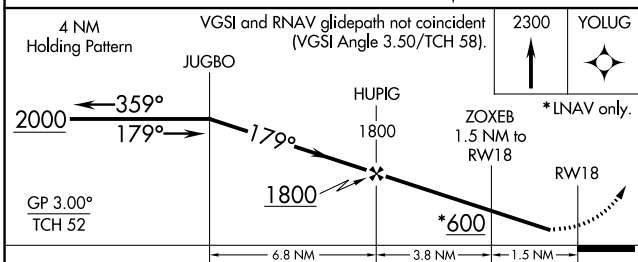
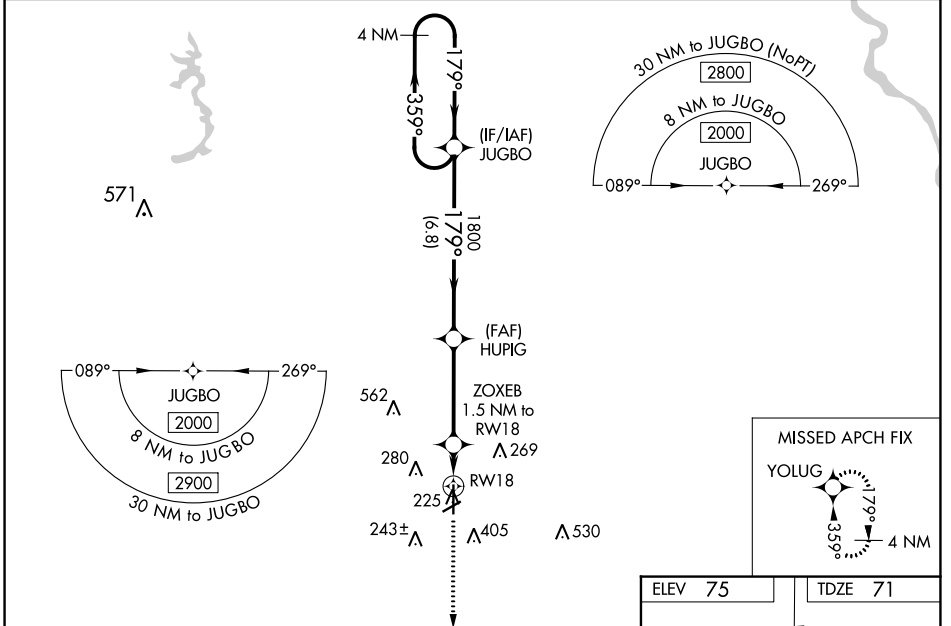
RNAV (GPS) RWY 18

ST LANDRY PARISH (OPL)

⚠ NA Baro-VNAV NA when using Lafayette altimeter setting. For uncompensated Baro-VNAV systems, LNAV/VNAV NA below -15°C (5°F) or above 43°C (109°F). When VGSI inop, Straight-in/Circling Rwy 18 procedure NA at night. DME/DME RNP-0.3 NA. Helicopter visibility reduction below 1 SM NA. Circling to Rwy 6/24 NA at night. When local altimeter setting not received, use Lafayette altimeter setting: Increase LPV DA to 377 feet, LNAV/VNAV DA to 442 feet, and visibility LNAV/VNAV all Cats ¼ SM; increase all MDA 60 feet and visibility LNAV Cat C and D and Circling Cat C and D ¼ SM.

MISSED APPROACH: Climb to 2300 direct YOLUG and hold.

AWOS-3PT 118.775	LAFAYETTE APP CON ★ 128.7 268.7	UNICOM 123.0 (CTAF) 0
----------------------------	---	---------------------------------



CATEGORY	A	B	C	D
LPV DA		321-1	250 (300-1)	
LNAV/VNAV DA		386-1	315 (400-1)	
LNAV MDA	480-1	409 (500-1)	480-1½	409 (500-1½)
CIRCLING	780-1	705 (800-1)	780-2 705 (800-2)	920-2¾ 845 (900-2¾)

SC-4, 13 JUN 2024 to 11 JUL 2024

SC-4, 13 JUN 2024 to 11 JUL 2024