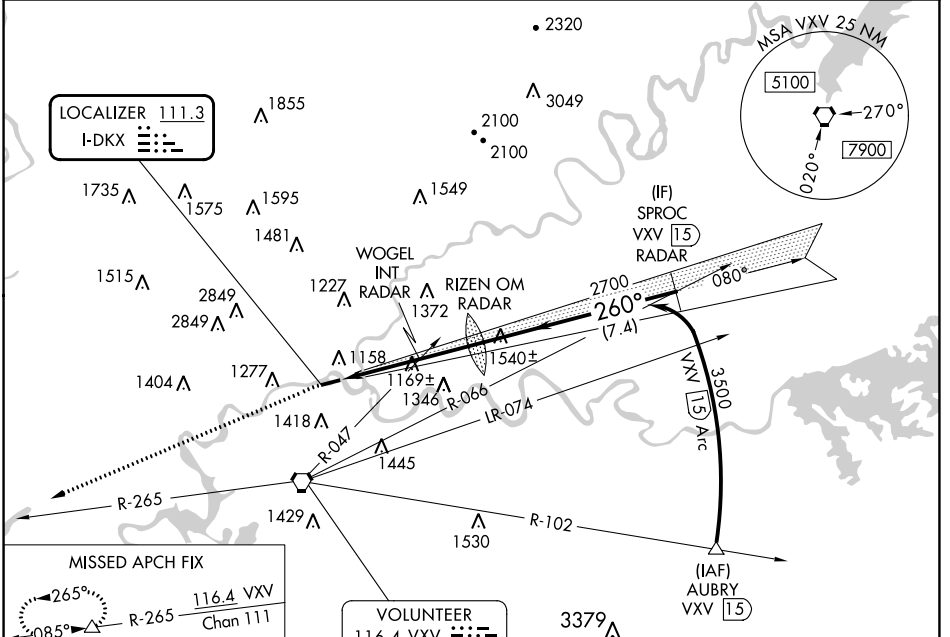


LOC I-DKX 111.3	APP CRS 260°	Rwy Idg TDZE Apt Elev	3499 832 833
---------------------------	------------------------	-----------------------------	---

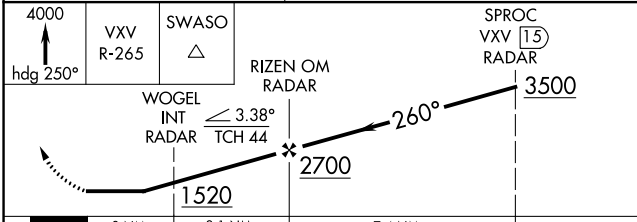
LOC RWY 26

KNOXVILLE DOWNTOWN ISLAND (DKX)

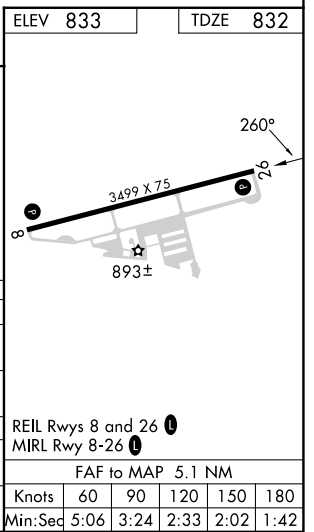
DME required. RADAR required for procedure entry.		MISSED APPROACH: Climb to 4000 on heading 250° and on VXV VORTAC R-265 to SWASO/VXV 18 DME and hold.	
<p>▼ Rwy 26 helicopter visibility reduction below 3/4 SM NA.</p> <p>▲</p>		AWOS-3 125.375	KNOXVILLE APP CON 123.9 353.6
		CLNC DEL 121.7	UNICOM 123.075 (CTAF) 1



MISSED APCH FIX	ELEV 833	TDZE 832
<p>4000 hdg 250°</p> <p>VXV R-265</p> <p>SWASO VXV 18</p> <p>R-265 116.4 VXV Chan 111</p>		



CATEGORY	A	B	C	D
S-26	1520-1 688 (700-1)		1520-2 688 (700-2)	NA
C CIRCLING	1600-1 767 (800-1)	1720-1¼ 887 (900-1¼)	1720-2¾ 887 (900-2¾)	NA
WOGEL FIX MINIMUMS				
S-26	1440-1 608 (700-1)		1440-1¾ 608 (700-1¾)	NA
C CIRCLING	1600-1 767 (800-1)	1720-1¼ 887 (900-1¼)	1720-2¾ 887 (900-2¾)	NA



SE-1, 13 JUN 2024 to 11 JUL 2024

SE-1, 13 JUN 2024 to 11 JUL 2024

REIL Rwys 8 and 26	1
MRLW Rwy 8-26	1
FAF to MAP 5.1 NM	
Knots	60 90 120 150 180
Min:Sec	5:06 3:24 2:33 2:02 1:42