

VOR OZB 109.0	APP CRS 123°	Rwy ldg 5000
		TDZE 2503
		Apt Elev 2503

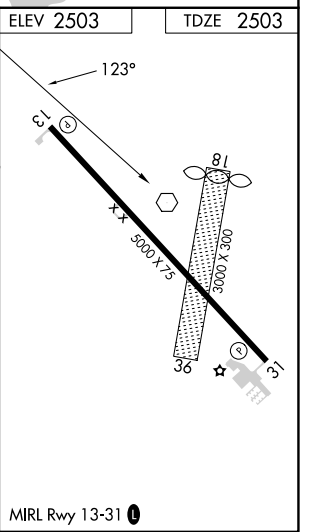
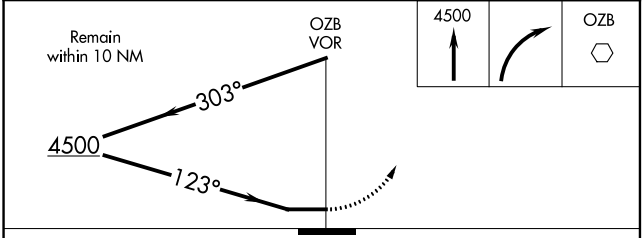
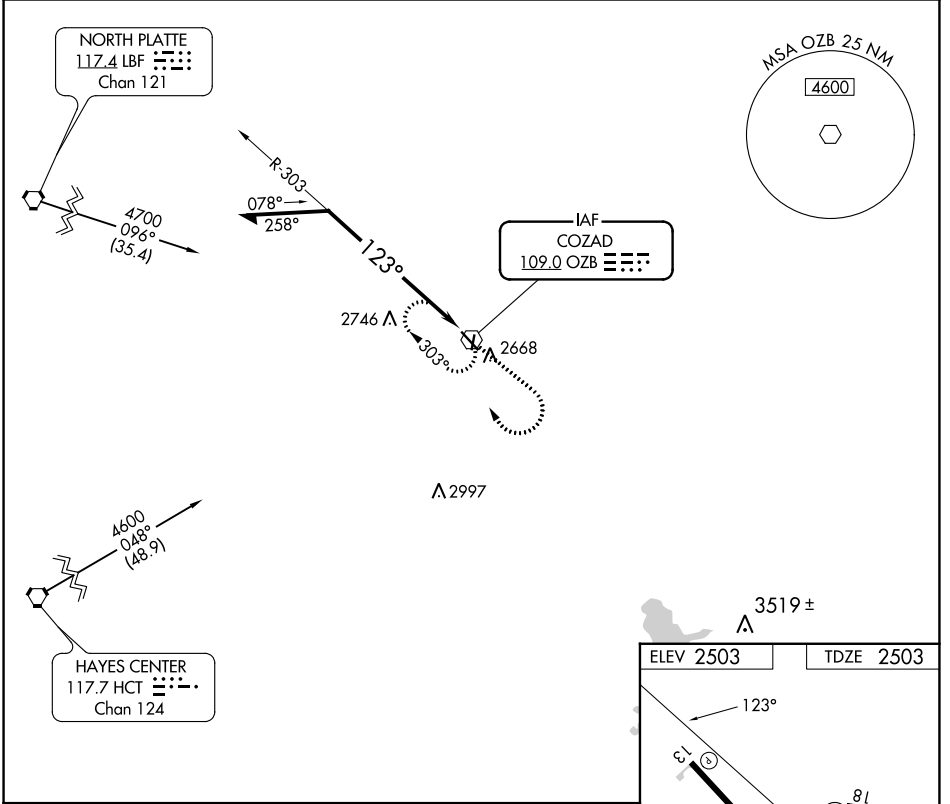
VOR RWY 13

COZAD MUNI (CZD)

▽ Use Lexington altimeter setting; when not received, use North Platte altimeter setting and increase all MDAs 80 feet, increase Circling Cat C visibility ¼ SM. Circling NA to Rwys 18 and 36. Rwy 13 helicopter visibility reduction below ¾ SM NA.

MISSED APPROACH: Climb to 4500 then right turn direct OZB VOR and hold.

LXN AWOS-3 121.025	DENVER CENTER 132.7 226.675	UNICOM 122.8 (CTAF) 0
------------------------------	---------------------------------------	---------------------------------



CATEGORY	A	B	C	D
S-13	3140-1	637 (700-1)	3140-1¾ 637 (700-1¾)	NA
C CIRCLING	3140-1	637 (700-1)	3140-1¾ 637 (700-1¾)	NA

MIRL Rwy 13-31 0

NC-2, 13 JUN 2024 to 11 JUL 2024

NC-2, 13 JUN 2024 to 11 JUL 2024