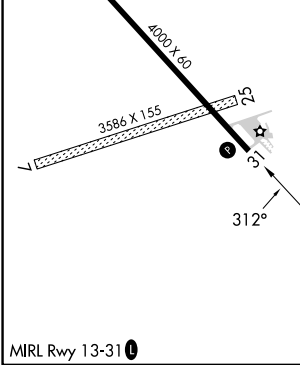
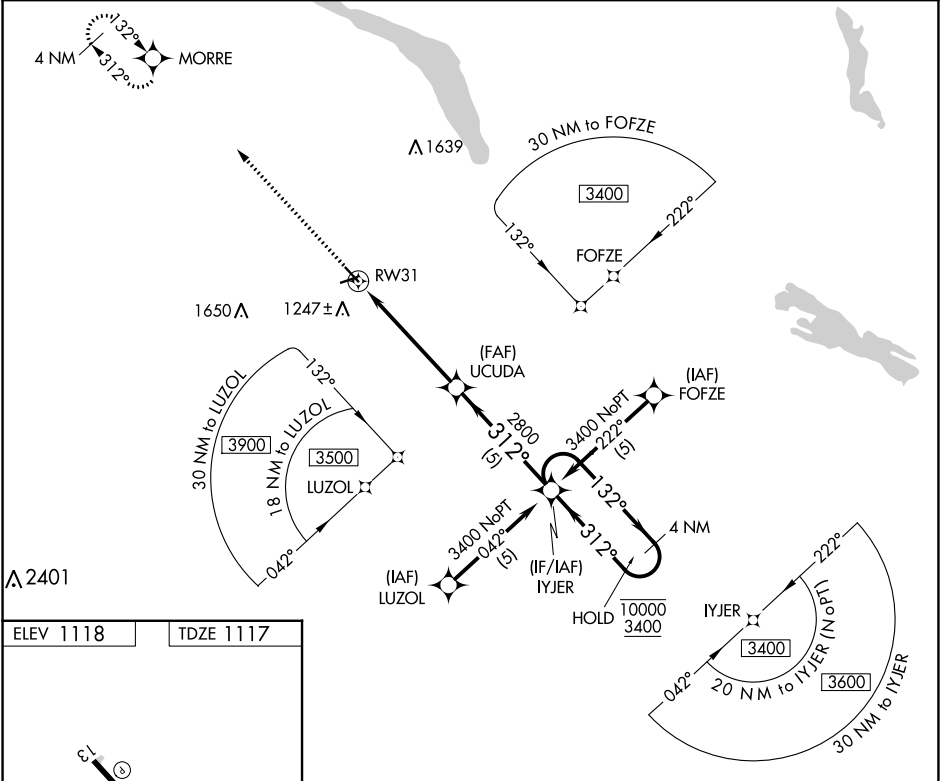


APP CRS	Rwy Idg	4000
312°	TDZE	1117
	Apt Elev	1118

RNAV (GPS) RWY 31

MILBANK MUNI (1D1)

RNP APCH.	<p>▽ Rwy 31 helicopter visibility reduction below 3/4 SM NA. When local altimeter setting not received, use Ortonville Muni/Martinson Fld altimeter setting and increase MDAs 20 feet.</p> <p>△ NA</p>	<p>MISSED APPROACH: Climb to 3400 direct MORRE and hold.</p>
<p>AWOS-3P 118.9</p> <p>MINNEAPOLIS CENTER 128.5 306.2</p> <p>AUNICOM 122.8 (CTAF) 0</p>		



3400	MORRE	VGSI and descent angles not coincident (VGSI Angle 3.00/TCH 36).	
	UCUDA	IYJER	4 NM Holding Pattern
	RW31	UCUDA	IYJER
	3.00° TCH 40	2800	10000 3400
	5.2 NM	5 NM	
CATEGORY	A	B	C
LNAV MDA	1720-1	603 (700-1)	NA
C CIRCLING	1720-1	602 (700-1)	NA

NC-1, 13 JUN 2024 to 11 JUL 2024

NC-1, 13 JUN 2024 to 11 JUL 2024