

TERRY (8U6) 1 SE UTC-7(-6DT) N46°46.63' W105°18.79'
2283 B NOTAM FILE GTF

BILLINGS
L-13E

RWY 08-26: H4300X75 (ASPH) S-12.5 MIRL

RWY 08: PAPI(P2L)—GA 4.0° TCH 36'.

RWY 26: PAPI(P2L)—GA 3.0° TCH 25'.

SERVICE: LGT ACTVT PAPI Rwy 08 and 26; MIRL Rwy 08-26—CTAF.

AIRPORT REMARKS: Unattended. Sn removal intmt.

AIRPORT MANAGER: 406-951-2731

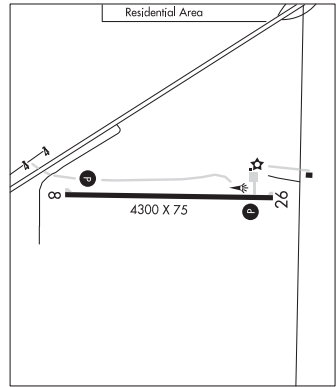
COMMUNICATIONS: CTAF 122.9

CLEARANCE DELIVERY PHONE: For CD ctc Salt Lake ARTCC at 801-320-2568.

RADIO AIDS TO NAVIGATION: NOTAM FILE MLS.

MILES CITY (VH) (DH) VORW/DME 112.1 MLS Chan 58

N46°22.93' W105°57.21' 039° 35.6 NM to fld. 2666/9E.



THOMPSON FALLS (THM)(KTHM) 3 SE UTC-7(-6DT) N47°34.41' W115°16.84'
2467 B NOTAM FILE GTF

GREAT FALLS
L-13B

RWY 08-26: H4200X75 (ASPH) S-12.5 MIRL

RWY 08: PAPI(P2L)—GA 3.0° TCH 32'.

RWY 26: PAPI(P2L)—GA 3.25° TCH 29'. Trees.

SERVICE: FUEL 100LL LGT ACTVT PAPI Rwy 08 and Rwy 26; MIRL Rwy 08-26—CTAF.

AIRPORT REMARKS: Unattended. Fuel avbl 24/7 with credit card. Waterfowl invof arpt. Sn removal intmt. Call 406-546-6384 for rwy cond. Mkd pwr lines 7 mi E mainland to Big Is.

AIRPORT MANAGER: 406-827-3519

COMMUNICATIONS: CTAF 122.9

CLEARANCE DELIVERY PHONE: For CD ctc Seattle ARTCC at 253-351-3694.

COMM/NAV/WEATHER REMARKS: CTAF: Automated UNICOM avbl on 118.1; 3 clicks.

