

LEXINGTON

MC CASLIN (O44) 4 N UTC-6(-5DT) N35°05.54' W97°20.19'

DALLAS-FT WORTH

1135 NOTAM FILE MLC

RWY 17-35: 2135X80 (TURF)

RWY 17: Fence.

RWY 35: Bldg.

AIRPORT REMARKS: Unattended. +35' powerline 145' east of rwy, full length. 30 ft power line 478 ft fm Rwy 35 thr both sides.

AIRPORT MANAGER: (214) 642-6570

COMMUNICATIONS: CTAF 122.9

CLEARANCE DELIVERY PHONE: For CD ctc Oke City Apch at 405-681-5683.

LINDSAY MUNI (1K2) 2 NE UTC-6(-5DT) N34°50.97' W97°35.12'

DALLAS-FT WORTH

L-17C

968 B NOTAM FILE MLC

RWY 01-19: H3010X60 (ASPH) S-4 MIRL

SERVICE: LGT ACTIVATE MIRL Rwy 01-19-CTAF.

AIRPORT REMARKS: Unattended. 660' AGL antenna 3.2 miles north.

AIRPORT MANAGER: 405-756-2019

COMMUNICATIONS: CTAF 122.9

CLEARANCE DELIVERY PHONE: For CD ctc Fort Worth ARTCC at 817-858-7584.

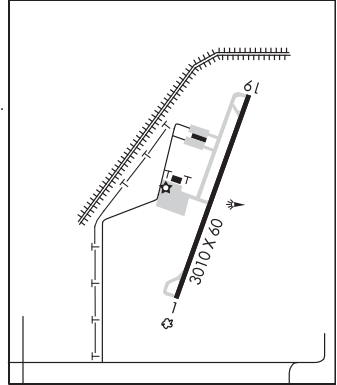
RADIO AIDS TO NAVIGATION: NOTAM FILE OKC.

WILL ROGERS (H) (H) VORTACW 114.1 IRW Chan 88 N35°21.52'

W97°36.55' 171° 30.5 NM to fld. 1230/7E.

TACAN AZIMUTH unusable:

297°-315°



MADILL MUNI (1F4) 3 NW UTC-6(-5DT) N34°08.42' W96°48.72'

DALLAS-FT WORTH

L-17C

IAP

890 B NOTAM FILE MLC

RWY 18-36: H3005X60 (ASPH) S-8 MIRL 0.6% up S

RWY 18: REIL. Trees.

RWY 36: REIL. Tree.

SERVICE: LGT MIRL Rwy 18-36 preset med ints dusk-0600Z†, after 0600Z‡ ACTIVATE-CTAF. Rwy 18 left side REIL OTS indef.

AIRPORT REMARKS: Unattended. +1694' twr 6.2 miles south of Rwy 36 end.

AIRPORT MANAGER: 580-795-4017

COMMUNICATIONS: CTAF 122.9

® FORT WORTH CENTER APP/DEP CON 124.75

CLEARANCE DELIVERY PHONE: For CD ctc Fort Worth ARTCC at 817-858-7584.

RADIO AIDS TO NAVIGATION: NOTAM FILE ADM.

ARDMORE (VH) (H) VORTACW 116.7 ADM Chan 114 N34°12.70'

W97°10.09' 097° 18.2 NM to fld. 937/6E.

VOR unusable:

150°-160° byd 40 NM

150°-160° byd 6 NM blo 14,000'

297°-306° byd 40 NM blo 15,000'

307°-314° blo 3,500'

307°-314° byd 15 NM

314°-333°

TACAN AZIMUTH unusable:

314°-333°

DME unusable:

314°-333°

334°-011° byd 39 NM blo 3,100'

