

BLYTHE (BLH)(KBLH) 6 W UTC-8(-7DT) N33°37.15' W114°43.01'
 400 B TPA—1200(800) NOTAM FILE BLH
RWY 08-26: H6543X150 (ASPH) S-80, D-115, 2S-175, 2D-210

PHOENIX
 H-41, L-41, 5A
 IAP

MIRL
RWY 26: VASI(V4L)—GA 3.0° TCH 42'.
RWY 17-35: H5800X100 (ASPH) S-52, D-76, 2S-100, 2D-135
 MIRL
RWY 17: VASI(V4L)—GA 3.0° TCH 40'.
RWY 35: VASI(V4L)—GA 3.0° TCH 40'.

SERVICE: FUEL 100LL, JET A **LGT** ACTIVATE MIRL Rwy 17-35 and Rwy 08-26 and VASI Rwy 17, Rwy 35, and Rwy 26—CTAF.

AIRPORT REMARKS: Attended Apr-Oct 1500-0000Z†, Nov-Mar 1600-0100Z†. Parachute training high and low levels all hrs northeast quad of airport. Acft over 12,500 pounds avoid housing area 1.5 NM SW below 2000'. Final apch Rwy 35 be established 2 NM from touchdown. Departure from Rwy 17 make climbing left turn soon as safety permits. Use wide tfc pattern for Rwy 26 and Rwy 35. Power plant 1 mile east of arpt producing thermal plumes; avoid low altitude direct overflight of the power plant.

AIRPORT MANAGER: 951-955-9418

WEATHER DATA SOURCES: ASOS 120.175 (760) 922-3000.

COMMUNICATIONS: CTAF/UNICOM 122.8

RCO 122.4 (RIVERSIDE RADIO)

Ⓡ L.A. CENTER APP/DEP CON 128.15

CLEARANCE DELIVERY PHONE: For CD if una to ctc on FSS freq, ctc Los Angeles ARTCC at 661-575-2079.

AIRSPACE: CLASS E.

RADIO AIDS TO NAVIGATION: NOTAM FILE BLH.

(VH) (H) **VORTACW** 117.4 BLH Chan 121 N33°35.76' W114°45.68' 044° 2.6 NM to fld. 410/14E.

VOR unusable:

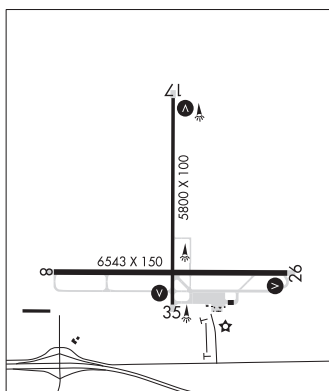
060°-063° byd 40 NM
 069°-074° byd 40 NM
 075°-094° byd 40 NM blo 6,000'
 075°-094° byd 49 NM blo 10,000'
 075°-094° byd 89 NM
 095°-105° byd 40 NM
 112°-138° byd 40 NM
 178°-272° byd 40 NM
 273°-283° byd 40 NM blo 11,000'
 273°-283° byd 58 NM
 280°-295° byd 30 NM blo 7,000'
 284°-294° byd 40 NM blo 8,500'
 284°-294° byd 60 NM
 295°-325° byd 15 NM blo 12,000'
 325°-018° byd 30 NM blo 7,000'
 326°-038° byd 40 NM

TACAN AZIMUTH unusable:

060°-085° byd 21 NM blo 8,000'
 280°-335° byd 15 NM blo 14,000'
 335°-018° byd 15 NM blo 8,000'

DME unusable:

280°-335° byd 15 NM blo 14,000'
 335°-018° byd 15 NM blo 8,000'



BOB HOPE (See BURBANK on page 122)

BOB MAXWELL MEML AIRFIELD (See OCEANSIDE on page 221)