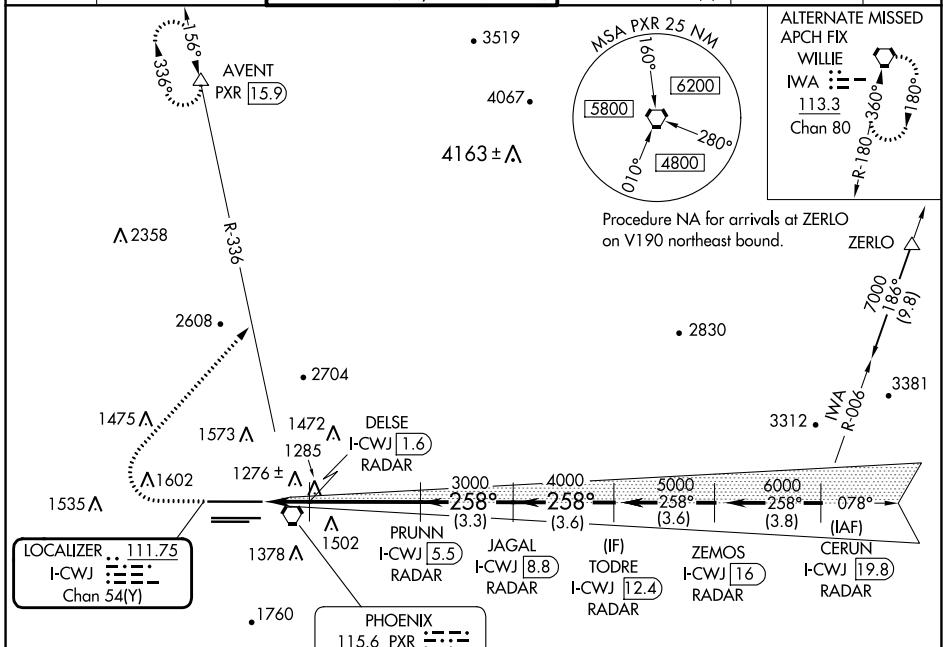


LOC/DME I-CWJ 111.75 Chan 54 (Y)	APP CRS 258°	Rwy Idg 11489 TDZE 1135 Apt Elev 1135
--	------------------------	--

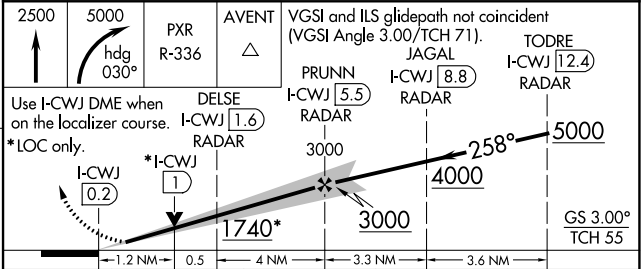
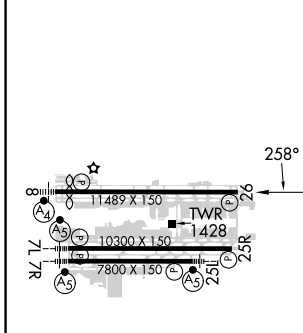
ILS or LOC RWY 26

PHOENIX SKY HARBOR INTL (PHX)

DME or RADAR required.		MISSED APPROACH: Climb to 2500 then climbing right turn to 5000 on heading 030° and PXR VORTAC R-336 to AVENT/PXR 15.9 DME and hold.		
Simultaneous approach authorized.				
D-ATIS 127.575	PHOENIX APP CON 128.65 353.9	PHOENIX TOWER 118.7 278.8 (Rwy 8-26) 120.9 254.3 (Rwy 7L-25R, 7R-25L)	GND CON 119.75 269.2 (N) 132.55 269.2 (S)	CLNC DEL 118.1 269.2
		CPDLC		



ELEV 1135	D	TDZE 1135
-----------	----------	-----------



HIRL Rwy 8-26, 7L-25R and 7R-25L REIL Rwy 26	FAF to MAP 5.7 NM				
Knots	60	90	120	150	180
Min:Sec	5:42	3:48	2:51	2:17	1:54
C CIRCLING	1740-1 605 (700-1)		2040-2 ³ / ₄ 905 (1000-2 ³ / ₄)		2560-3 1425 (1500-3)

SW-4, 11 JUL 2024 to 08 AUG 2024

SW-4, 11 JUL 2024 to 08 AUG 2024