


WAAS CH 73011 W07B	APP CRS 078°	Rwy Idg TDZE 1116 Apt Elev 1135
--	------------------------	---

RNAV (GPS) Y RWY 7R

PHOENIX SKY HARBOR INTL (PHX)

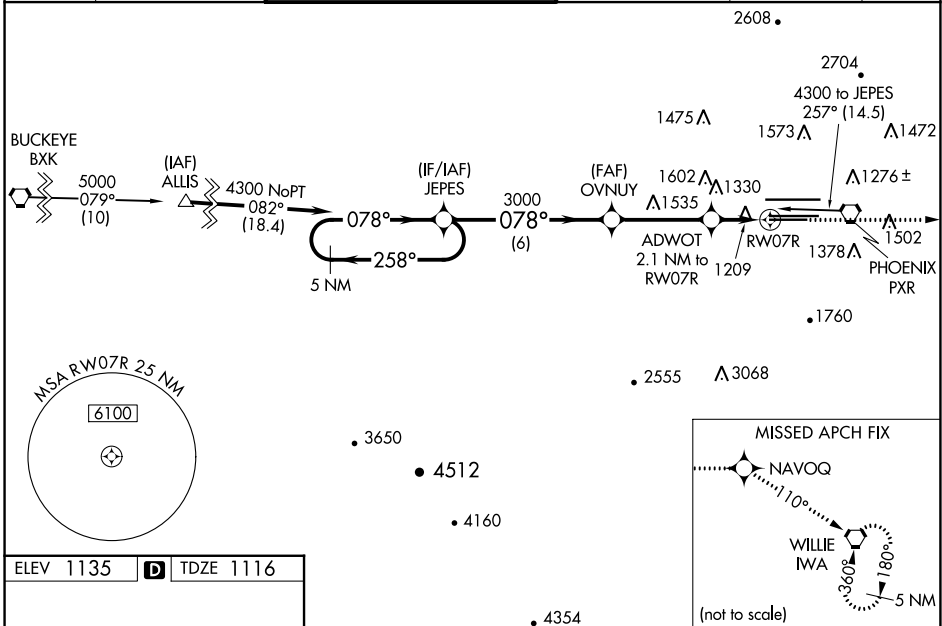
RNP APCH - GPS.

⚠ For inop ALS, increase visibility LPV all Cats to ½ SM, LNAV/VNAV all Cats to 1½ SM, LNAV Cats A/B to 1 SM and C/D to 1¾ SM. For uncompensated Baro-VNAV systems, LNAV/VNAV NA below -17°C or above 46°C. Rwy 7R helicopter visibility reduction below ¾ SM NA. Simultaneous approach authorized. Use of FD or AP providing RNAV track guidance required during simultaneous operations. LNAV procedure NA during simultaneous operations.

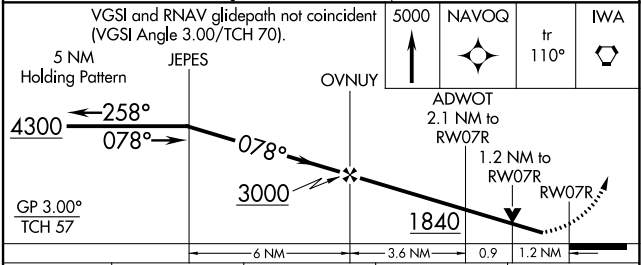
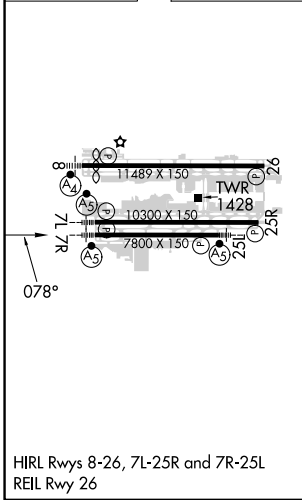
MALSR 

MISSED APPROACH: Climb to 5000 direct NAVOQ and via 110° track to IWA VORTAC and hold.

D-ATIS 127.575	PHOENIX APP CON 128.65 353.9	PHOENIX TOWER 118.7 278.8 (Rwy 8-26) 120.9 254.3 (Rwy 7L-25R, 7R-25L)	GND CON 119.75 269.2 (N) 132.55 269.2 (S)	CLNC DEL 118.1 269.2	CPDLC
--------------------------	--	---	---	--------------------------------	-------



ELEV 1135	D	TDZE 1116
-----------	----------	-----------



CATEGORY	A	B	C	D
LPV DA		1390-¾	274 (300-¾)	
LNAV/VNAV DA		1520-1	404 (400-1)	
LNAV MDA	1580-¾	464 (500-¾)	1580-1	464 (500-1)
C CIRCLING	1740-1	605 (700-1)	2040-2¾ 905 (1000-2¾)	2560-3 1425 (1500-3)

SW-4, 11 JUL 2024 to 08 AUG 2024

SW-4, 11 JUL 2024 to 08 AUG 2024