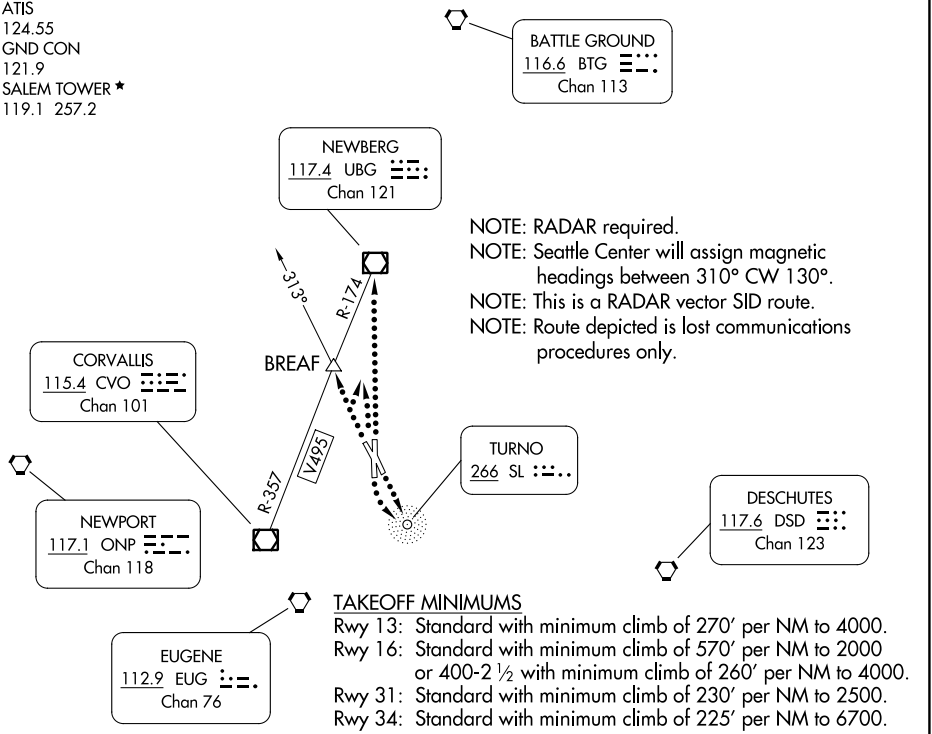


SALEM FOUR DEPARTURE

AL-361 (FAA)

MCNARY FLD (SLE)
SALEM, OREGON

ATIS
124.55
GND CON
121.9
SALEM TOWER *
119.1 257.2



NOTE: RADAR required.
 NOTE: Seattle Center will assign magnetic headings between 310° CW 130°.
 NOTE: This is a RADAR vector SID route.
 NOTE: Route depicted is lost communications procedures only.

TAKEOFF MINIMUMS

- Rwy 13: Standard with minimum climb of 270' per NM to 4000.
- Rwy 16: Standard with minimum climb of 570' per NM to 2000 or 400-2 1/2 with minimum climb of 260' per NM to 4000.
- Rwy 31: Standard with minimum climb of 230' per NM to 2500.
- Rwy 34: Standard with minimum climb of 225' per NM to 6700.

NOTE: Chart not to scale.

NW-1, 11 JUL 2024 to 08 AUG 2024

NW-1, 11 JUL 2024 to 08 AUG 2024



DEPARTURE ROUTE DESCRIPTION

TAKEOFF RUNWAYS 13, 31, 34: Climb to assigned altitude and heading between 310° CW 130° from DER, thence

TAKEOFF RUNWAY 16: Climbing left turn to assigned heading between 340° CW to 130° from DER to assigned altitude, thence

. . . . expect RADAR vectors with Seattle Center to assigned route. Expect filed altitude 10 minutes after departure.

LOST COMMUNICATIONS:

If not in contact with Seattle Center after reaching 2000, continue climb to assigned altitude.

TAKEOFF RUNWAYS 13 and 16: (Runway 16 turn left) proceed direct to SL NDB thence on (assigned route) (ADF required).

TAKEOFF RUNWAYS 31 and 34: (Runway 31 turn right) proceed direct to UBG VOR/DME thence on (assigned route).

HELICOPTERS ONLY - RUNWAYS 31 and 34: (Runway 34 turn left) intercept and proceed outbound on the SL NDB 313° bearing to BREAUX INT, thence on (assigned route) (ADF required).

SALEM FOUR DEPARTURE

27APR17

SALEM, OREGON
MCNARY FLD (SLE)