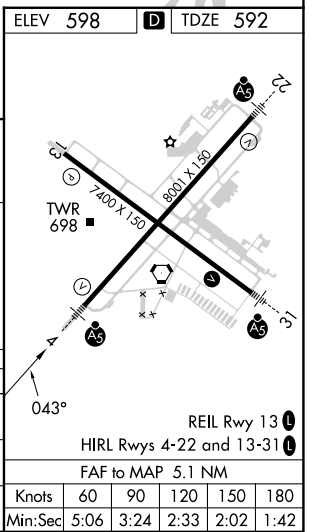
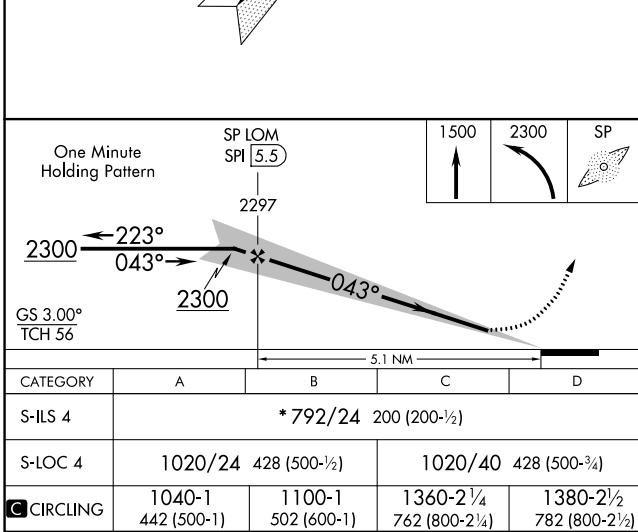
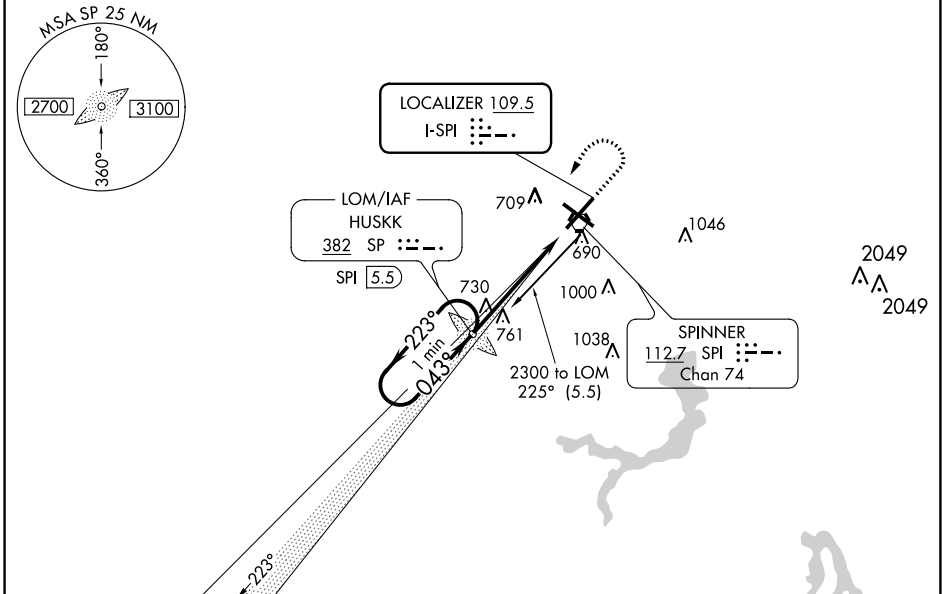


LOC I-SPI <b>109.5</b>	APP CRS <b>043°</b>	Rwy Idg TDZE Apt Elev	<b>7927</b> <b>592</b> <b>598</b>
---------------------------	------------------------	-----------------------------	---

# ILS or LOC RWY 4

ABRAHAM LINCOLN CAPITAL (SPI)

ADF Required.		SPRINGFIELD TOWER ★		GND CON	CLNC DEL	UNICOM
<p>⚠ When local altimeter setting not received, use Lincoln altimeter setting and increase all DA 57 feet, all MDA 60 feet, increase S-LOC and Circling Cat C/D visibility ¼ mile. For inop ALS when using Lincoln altimeter setting, increase S-LOC 4 Cats C and D visibility to 1⅓ SM. ASR *RVR 1800 authorized with use of FD or AP or HUD to DA (NA when using Lincoln altimeter setting).</p>		<p>★ <b>121.3 (CTAF) 257.8</b></p>		<b>121.9 348.6</b>	<b>121.7</b>	<b>122.95</b>
ATIS	SAINT LOUIS APP CON ★					
<b>127.65 270.1</b>	<b>126.15 323.0</b>					



EC-3, 11 JUL 2024 to 08 AUG 2024

EC-3, 11 JUL 2024 to 08 AUG 2024