

VORTAC IRQ <b>113.9</b> Chan <b>86</b>	APP CRS <b>102°</b>	Rwy Idg TDZE Apt Elev	<b>N/A</b> <b>N/A</b> <b>529</b>
--	------------------------	-----------------------------	--

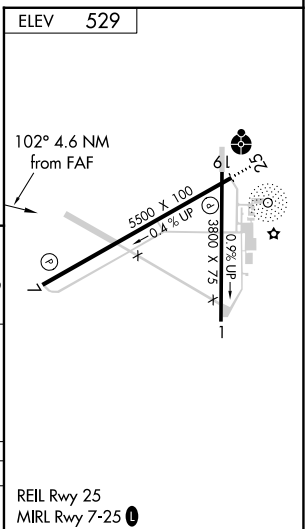
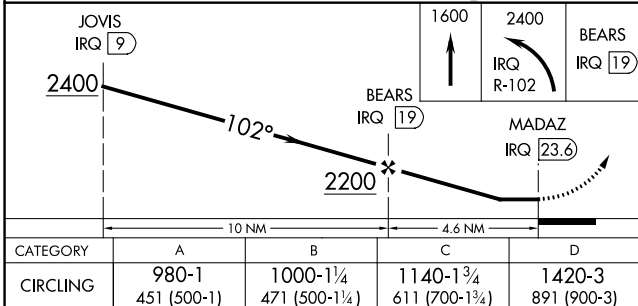
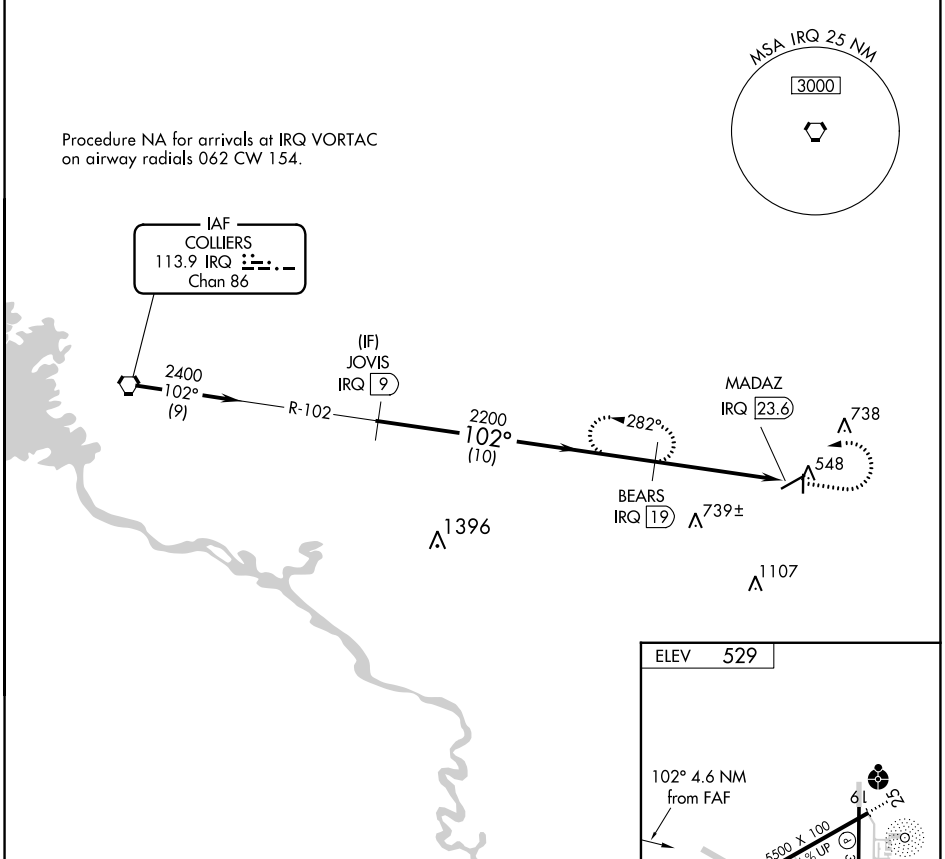
# VOR/DME-A

AIKEN RGNL (AIK)

**NA** When local altimeter setting not received, use Augusta Rgnl at Bush Fld altimeter setting and increase all MDAs 120 feet and increase Cat C visibility ¼ SM.

MISSED APPROACH: Climb to 1600 then climbing left turn to 2400 on IRQ VORTAC R-102 to BEARS/IRQ 19 DME and hold.

AWOS-3 <b>118.025</b>	AUGUSTA APP CON * <b>119.15 284.625</b>	CLNC DEL <b>126.075</b>	UNICOM <b>122.8</b> (CTAF) <b>0</b>
--------------------------	--	----------------------------	--



SE-2, 11 JUL 2024 to 08 AUG 2024

SE-2, 11 JUL 2024 to 08 AUG 2024