

|  |                        |                             |                                       |
|--|------------------------|-----------------------------|---------------------------------------|
| WAAS<br>CH <b>86229</b><br><b>W18A</b> | APP CRS<br><b>179°</b> | Rwy Idg<br>TDZE<br>Apt Elev | <b>5849</b><br><b>71</b><br><b>75</b> |
|--|------------------------|-----------------------------|---------------------------------------|

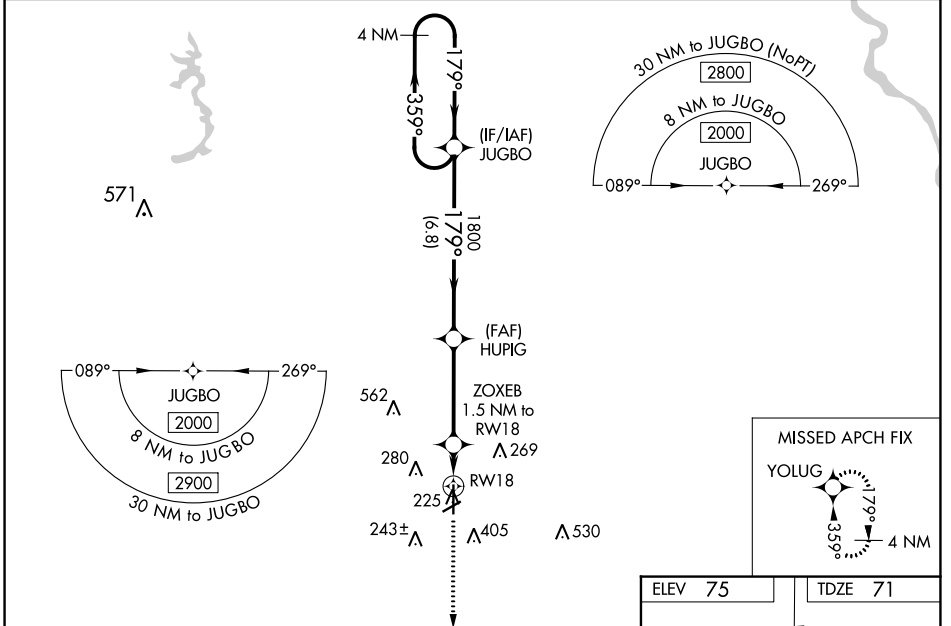
# RNAV (GPS) RWY 18

ST LANDRY PARISH (OPL)

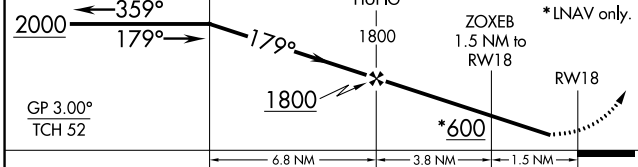
**⚠ NA** Baro-VNAV NA when using Lafayette altimeter setting. For uncompensated Baro-VNAV systems, LNAV/VNAV NA below -15°C (5°F) or above 43°C (109°F). When VGSI inop, Straight-in/Circling Rwy 18 procedure NA at night. DME/DME RNP-0.3 NA. Helicopter visibility reduction below 1 SM NA. Circling to Rwy 6/24 NA at night. When local altimeter setting not received, use Lafayette altimeter setting: Increase LPV DA to 377 feet, LNAV/VNAV DA to 442 feet, and visibility LNAV/VNAV all Cats ¼ SM; increase all MDA 60 feet and visibility LNAV Cat C and D and Circling Cat C and D ¼ SM.

**MISSED APPROACH:** Climb to 2300 direct YOLUG and hold.

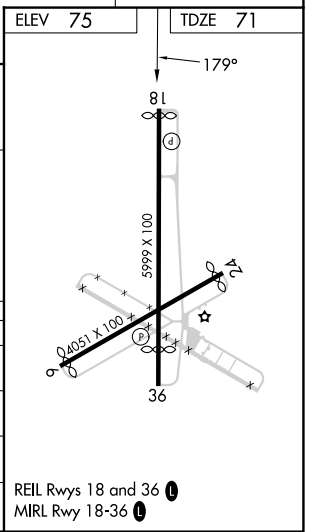
|                            |   |                                 |
|----------------------------|---|---------------------------------|
| AWOS-3PT<br><b>118.775</b> | LAFAYETTE APP CON ★<br><b>128.7 268.7</b> | UNICOM<br><b>123.0 (CTAF) 0</b> |
|----------------------------|---|---------------------------------|



4 NM Holding Pattern  
VGSI and RNAV glidepath not coincident (VGSI Angle 3.50/TCH 58).  
2300 YOLUG



| CATEGORY     | A     | B           | C           | D                      |
|--------------|-------|-------------|-------------|------------------------|
| LPV DA       |       | 321-1       | 250 (300-1) |                        |
| LNAV/VNAV DA |       | 386-1       | 315 (400-1) |                        |
| LNAV MDA     | 480-1 | 409 (500-1) | 480-1½      | 409 (500-1½)           |
| CIRCLING     | 780-1 | 705 (800-1) | 780-2       | 920-2¾<br>845 (900-2¾) |



SC-4, 11 JUL 2024 to 08 AUG 2024

SC-4, 11 JUL 2024 to 08 AUG 2024