

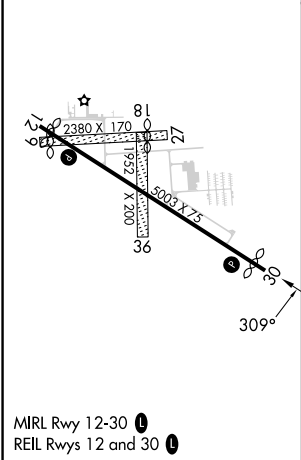
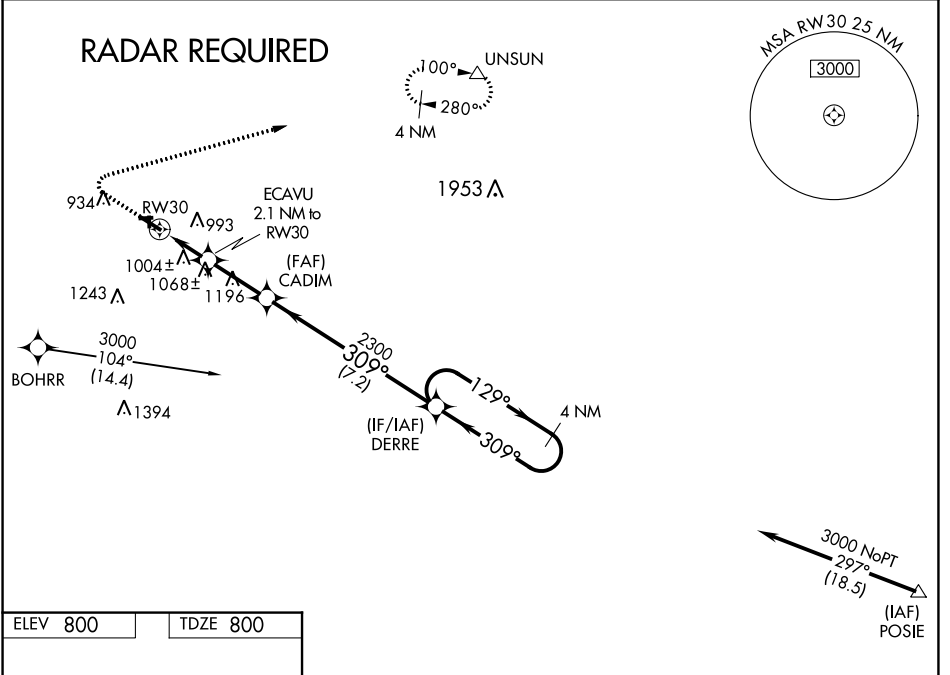
WAAS CH 86326 W30A	APP CRS 309°	Rwy Idg TDZE Apt Elev	4752 800 800
--	------------------------	-----------------------------	---

RNAV (GPS) RWY 30

HASTINGS (9D9)

RNP APCH.	<p>MISSED APPROACH: Climb to 1400 then climbing right turn to 3000 direct UNSUN and hold.</p>
<p>⚠ NA Circling NA to Rwy 9, 18, 27 and 36. Baro-VNAV NA. Use Grand Rapids altimeter setting; when not received, use Ionia altimeter setting: increase LPV DA to 1131 feet; increase LNAV/VNAV DA to 1377; increase all MDAs 20 feet.</p>	

GRR ASOS 118.725	GREAT LAKES APP CON* 128.4 257.6	UNICOM 123.075 (CTAF)
----------------------------	--	---------------------------------



1400	3000	UNSUB	4 NM Holding Pattern	
↑	↷	△		
*LNAV only.	ECAVU 2.1 NM to RW30	CADIM 2300	DERRE	
RW30	1500*	2300	129° → 3000	
			← 309°	
			GP 3.00° TCH 40	
CATEGORY	A	B	C	D
LPV DA	1116-1 316 (400-1)			NA
LNAV/VNAV DA	1362-1½ 562 (600-1½)			NA
LNAV MDA	1300-1	500 (500-1)	1300-1¾ 500 (500-1¾)	NA
C CIRCLING	1380-1 580 (600-1)	1420-1 620 (700-1)	1440-1¾ 640 (700-1¾)	NA

EC-1, 11 JUL 2024 to 08 AUG 2024

EC-1, 11 JUL 2024 to 08 AUG 2024