

| | | | |
|--|------------------------|---|-------------|
| WAAS CH 77642 W09A | APP CRS 092° | Rwy Idg TDZE 1007 Apt Elev 1007 | 4802 |
|--|------------------------|---|-------------|

RNAV (GPS) RWY 9

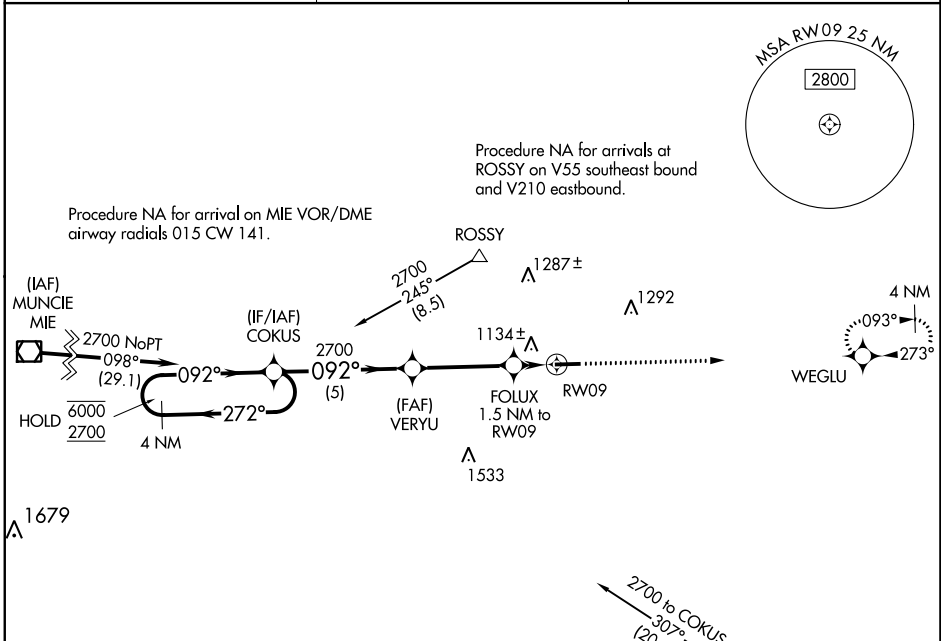
DARKE COUNTY (VES)

RNP APCH - GPS.

▼ Circling Rwy 27 NA at night. Rwy 9 helicopter visibility reduction below $\frac{3}{4}$ SM NA.
For uncompensated Baro-VNAV systems, LNAV/VNAV NA below -16° C or above 54° C.

MISSED APPROACH:
Climb to 2700 direct
WEGLU and hold.

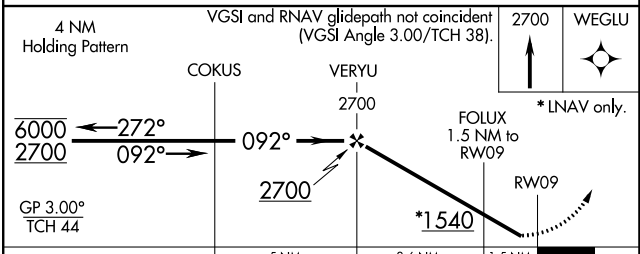
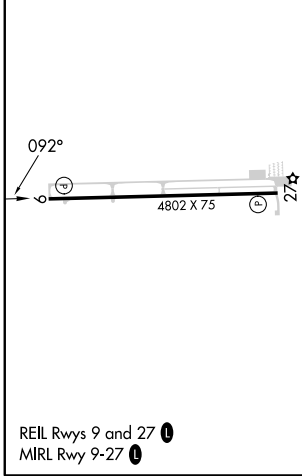
| | | |
|-------------------------|--|-------------------------------|
| AWOS-3T 125.9 | COLUMBUS APP CON 134.45 352.05 | UNICOM 122.8 (CTAF) |
|-------------------------|--|-------------------------------|



EC-2, 11 JUL 2024 to 08 AUG 2024

EC-2, 11 JUL 2024 to 08 AUG 2024

| | |
|-----------|-----------|
| ELEV 1007 | TDZE 1007 |
|-----------|-----------|



| CATEGORY | A | B | C | D |
|--------------|---|--------------------|---|----|
| LPV DA | 1257-1 250 (300-1) | | | NA |
| LNAV/VNAV DA | 1400-1 $\frac{1}{8}$ 393 (400-1 $\frac{1}{8}$) | | | NA |
| LNAV MDA | 1400-1 393 (400-1) | | 1400-1 $\frac{1}{8}$ 393 (400-1 $\frac{1}{8}$) | NA |
| CIRCLING | 1440-1 433 (500-1) | 1480-1 473 (500-1) | 1660-1 $\frac{3}{4}$ 653 (700-1 $\frac{3}{4}$) | NA |