

WAAS CH 53505 W17A	APP CRS 176°	Rwy Idg 13400 TDZE 567 Apt Elev 607
--	------------------------	--

RNAV (GPS) RWY 17R

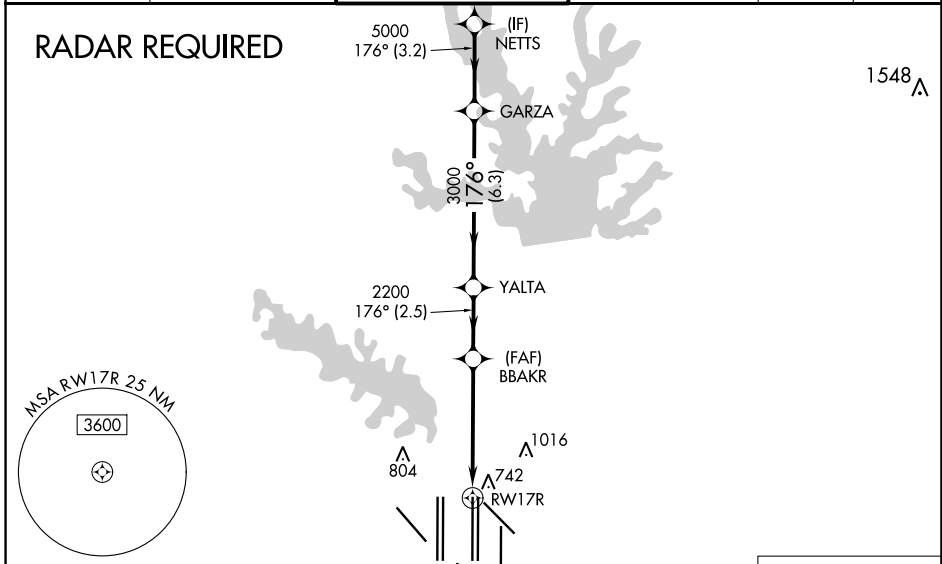
DALLAS-FORT WORTH INTL (DFW)

▼ For uncompensated Baro-VNAV systems, LNAV/VNAV NA below -4°C (25°F) or above 54°C (130°F). Simultaneous approach authorized with Rwy 17L and Rwys 18L/R. DME/DME RNP-0.3 NA. For inop MALSR increase LNAV/VNAV all Cats visibility to 1½ mile. LNAV procedure NA during simultaneous operations. Use of FD or AP providing RNAV track guidance required during simultaneous operations.

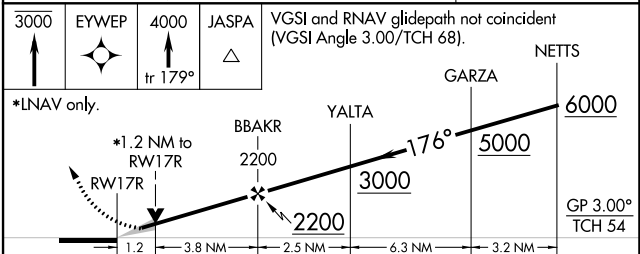
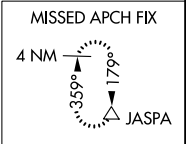
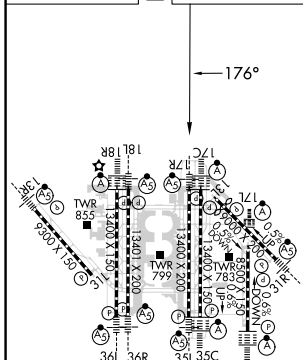


MISSED APPROACH: Climb to at or below 3000 direct EYWEP then climb to 4000 on track 179° to JASPA and hold.

D-ATIS ARR 123.775 DEP 135.925	REGIONAL APP CON 127.075	DFW TOWER 126.55 127.5 EAST 124.15 134.9 WEST	GND CON 121.65 121.8 EAST 121.85 WEST	CLNC DEL 128.25	CPDLC
--	------------------------------------	---	---	---------------------------	-------



ELEV 607	D	TDZE 567
-----------------	----------	-----------------



CATEGORY	A	B	C	D
LPV DA		767/18	200 (200-½)	
LNAV/VNAV DA		1066/60	499 (500-1¼)	
LNAV MDA	1000/24	433 (400-½)	1000/40	433 (400-¾)

HIRL all Rwys
REIL Rwys 13L and 31L
TDZ/CL all Rwys except 13L and 31L

SC-2, 11 JUL 2024 to 08 AUG 2024

SC-2, 11 JUL 2024 to 08 AUG 2024