

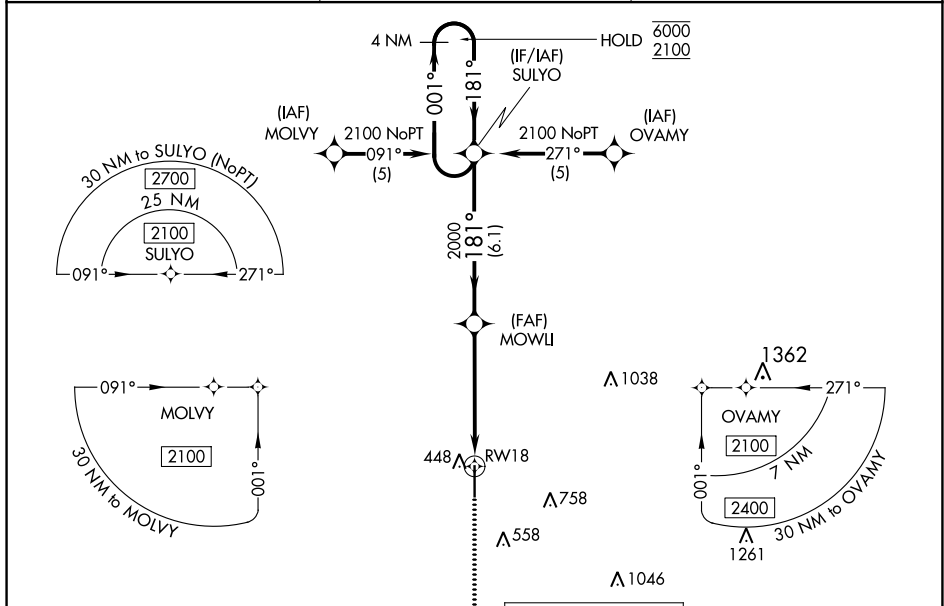
WAAS CH <b>49201</b> <b>W18A</b>	APP CRS <b>181°</b>	Rwy ldg <b>6502</b> TDZE <b>298</b> Apt Elev <b>298</b>
--	------------------------	---

# RNAV (GPS) RWY 18

HATTIESBURG/LAUREL RGNL (PIB)

RNP APCH-GPS.	MALSR	MISSED APPROACH: Climb to 2000 direct REWYO and hold.
For uncompensated Baro-VNAV systems, LNAV/VNAV NA below -15°C or above 54°C.		

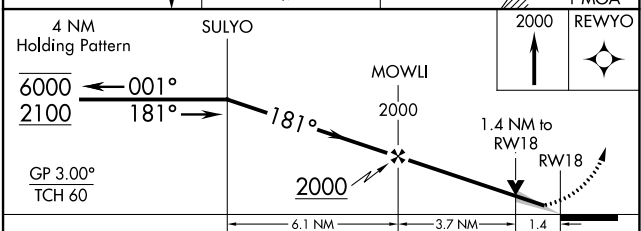
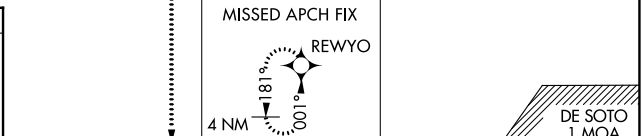
AWOS-3PT <b>128.325</b>	HOUSTON CENTER <b>126.8 327.8</b>	UNICOM <b>123.0 (CTAF) ①</b>
----------------------------	--------------------------------------	---------------------------------



SC-4, 11 JUL 2024 to 08 AUG 2024

SC-4, 11 JUL 2024 to 08 AUG 2024

ELEV 298	TDZE 298
HIRL Rwy 18-36 ① REIL Rwy 18 and 36 ①	



CATEGORY	A	B	C	D
LPV DA		498-1/2	200 (200-1/2)	
LNAV/VNAV DA		691-5/8	393 (400-3/8)	
LNAV MDA	820-1/2	522 (600-1/2)	820-1	522 (600-1)
<b>C</b> CIRCLING	820-1	522 (600-1)	1120-2 1/2 822 (900-2 1/2)	1120-2 3/4 822 (900-2 3/4)