

(MAREO5.MAREO) 23334

MAREO FIVE DEPARTURE

AL-6452 (FAA)

INDIANAPOLIS RGNL (MQJ)
INDIANAPOLIS, INDIANA

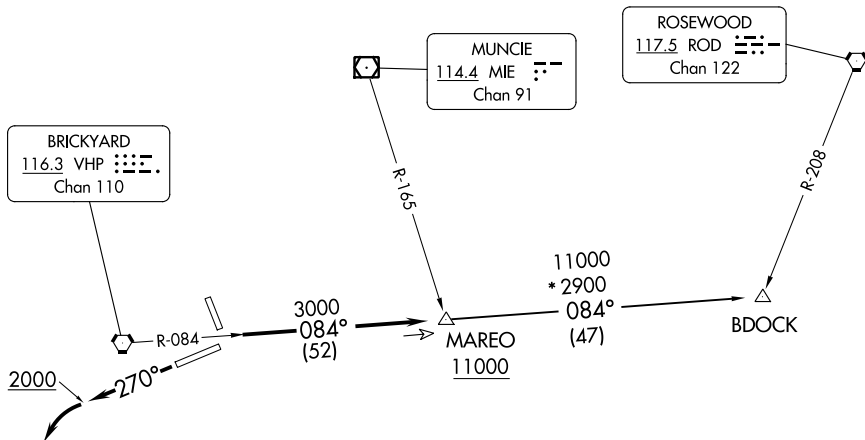
AWOS-3PT
124.175
CLNC DEL
119.25
INDIANAPOLIS DEP CON
127.15 317.8

TAKEOFF MINIMUMS

Rwys 7, 16, 25: Standard.

Rwy 34: 300-1 or standard with minimum
climb of 347' per NM to 1100.

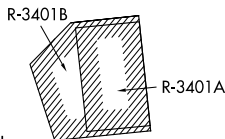
**TOP ALTITUDE:
ASSIGNED BY ATC**



EC-2, 11 JUL 2024 to 08 AUG 2024

EC-2, 11 JUL 2024 to 08 AUG 2024

- NOTE: RADAR required.
- NOTE: Select appropriate localizer/DME frequency/channel prior to departure.
- NOTE: Turbojets accelerate to 250K until reaching 10000, if unable advise ATC.
- NOTE: Assigned to aircraft with a requested altitude of 11000 or above.



NOTE: Chart not to scale.

DEPARTURE ROUTE DESCRIPTION
TAKEOFF RWY 25: Climb heading 270° to 2000 before turning left. Then on assigned heading to assigned altitude. Thence....

DEPARTING ALL OTHER AUTHORIZED RUNWAYS: Climb on assigned heading to assigned altitude. Thence....

....expect RADAR vectors to join VHP R-084 to MAREO INT then via transition or assigned route. Expect clearance to requested altitude ten minutes after departure.

BDOCK TRANSITION (MAREO5.BDOCK): From over MAREO INT via VHP R-084 to BDOCK INT.

MAREO FIVE DEPARTURE
(MAREO5.MAREO) 01FEB18

INDIANAPOLIS, INDIANA
INDIANAPOLIS RGNL (MQJ)