

VOR/DME SBJ <b>112.9</b> Chan <b>76</b>	APP CRS <b>100°</b>	Rwy Idg <b>2550</b> TDZE <b>480</b> Apt Elev <b>480</b>
---	------------------------	---

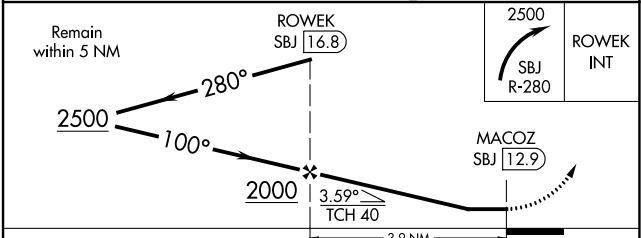
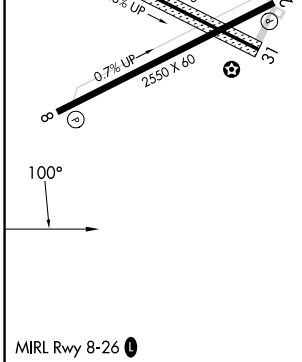
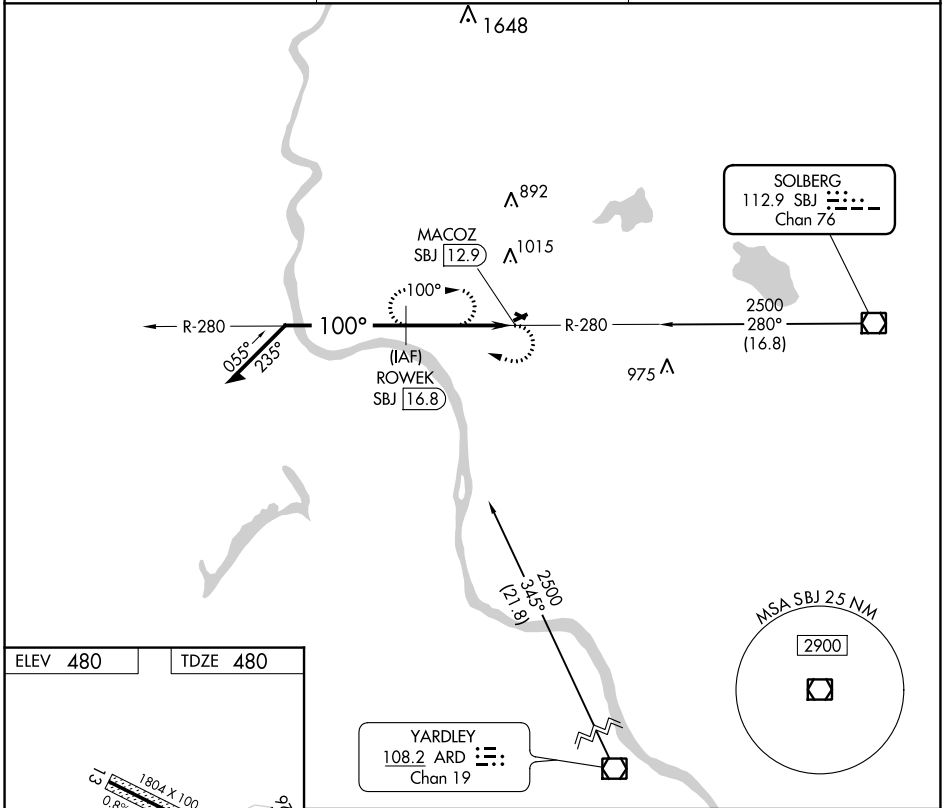
# VOR/DME RWY 8

ALEXANDRIA (N85)

**▼** Use Lehigh Valley Intl, Allentown, PA altimeter setting.  
**▲ NA** Procedure NA at night.  
 Helicopter visibility reduction below 1 SM NA.

MISSED APPROACH: Climbing right turn to 2500 on SBJ VOR/DME R-280 to ROWEK/16.8 DME and hold.

ALLENTOWN APP CON <b>119.65 124.45 351.8</b>	UNICOM <b>122.975</b> (CTAF)	<b>121.8</b> <b>0</b>
---	---------------------------------	-----------------------



CATEGORY	A	B	C	D
S-8	1420-1 940 (1000-1)		NA	
<b>C</b> CIRCLING	1420-1 940 (1000-1)		NA	

NE-2, 11 JUL 2024 to 08 AUG 2024

NE-2, 11 JUL 2024 to 08 AUG 2024