

CLEWISTON, FLORIDA

AL-10367 (FAA)

23110

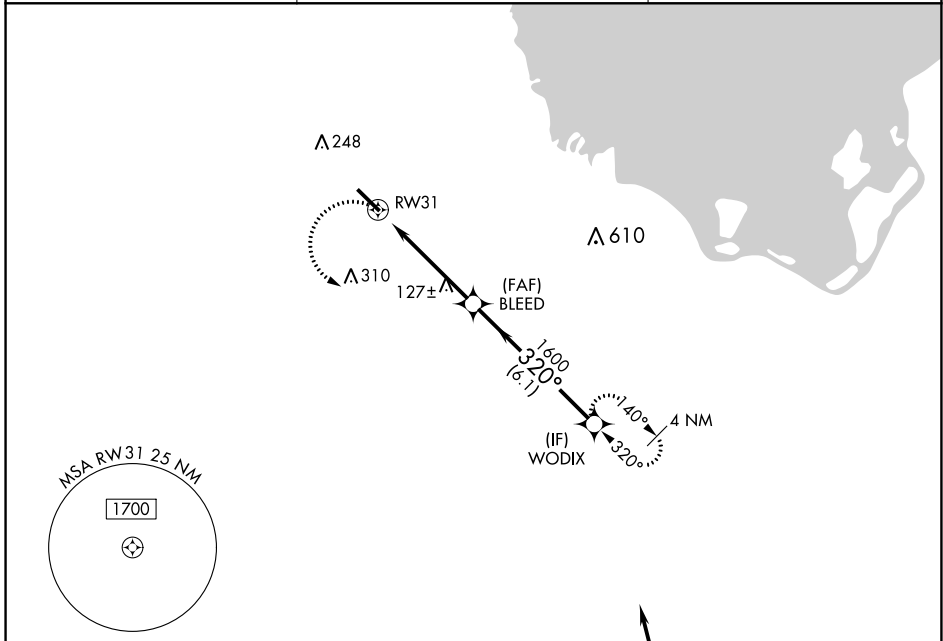
APP CRS	Rwy Idg	5902
320°	TDZE	19
	Apt Elev	20

RNAV (GPS) RWY 31

AIRGLADES (2IS)

RNP APCH - GPS.	MISSED APPROACH: Climbing left turn to 1600 direct WODIX and hold.
<p>▼ Procedure NA at night. Rwy 31 helicopter visibility reduction below 1 SM NA.</p> <p>▲ When local altimeter setting not received, use Immokalee altimeter setting.</p>	

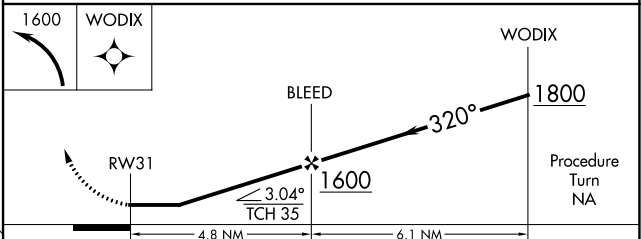
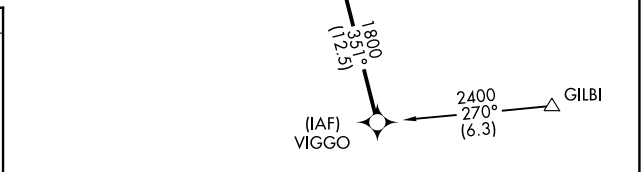
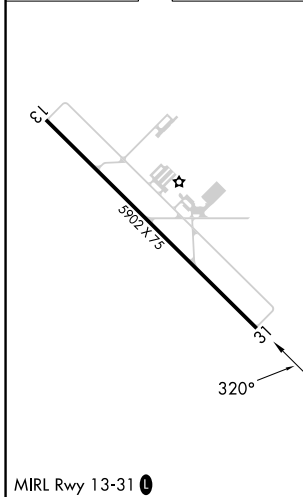
AWOS-3PT 124.175	MIAMI CENTER 132.45 307.1	UNICOM 123.05 (CTAF) 0
----------------------------	-------------------------------------	----------------------------------



SE-3, 11 JUL 2024 to 08 AUG 2024

SE-3, 11 JUL 2024 to 08 AUG 2024

ELEV	20	TDZE	19
------	----	------	----



CATEGORY	A	B	C	D
LNAV MDA	440-1	421 (500-1)	440-1¼	421 (500-1¼)
CIRCLING	500-1	480 (500-1)	500-1½ 480 (500-1½)	680-2 660 (700-2)

CLEWISTON, FLORIDA
Orig-B 20APR23

26°44'N-81°03'W

RNAV (GPS) RWY 31

AIRGLADES (2IS)