

(STYCK8.STYCK) 22307

AL-164 (FAA)

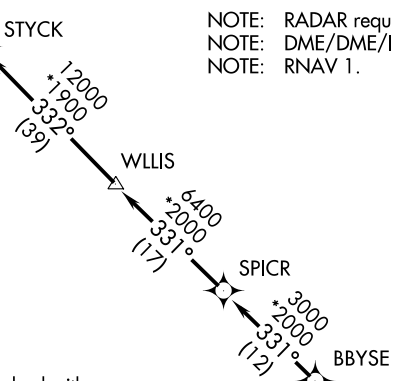
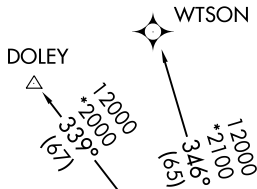
SCHOLES INTL AT GALVESTON (GLS)

STYCK EIGHT DEPARTURE (RNAV)

GALVESTON, TEXAS

**TOP ALTITUDE:
ASSIGNED BY ATC**

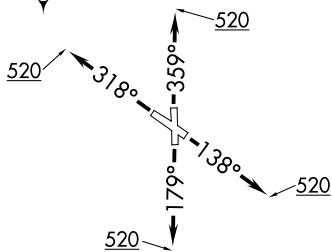
ASOS
123.95
CLNC DEL (When twr closed)
135.35
GND CON
118.625
GALVESTON TOWER★
120.575 (CTAF)
HOUSTON DEP CON
134.45 284.0



NOTE: RADAR required.
NOTE: DME/DME/IRU or GPS required.
NOTE: RNAV 1.

TAKEOFF MINIMUMS

Rwys 14, 18, 32, 36: Standard with minimum climb of 500' per NM to 520.



NOTE: Chart not to scale.

DEPARTURE ROUTE DESCRIPTION

TAKEOFF RUNWAY 14: Climb on heading 138° to 520 for RADAR vectors to BBYSE, thence...

TAKEOFF RUNWAY 18: Climb on heading 179° to 520 for RADAR vectors to BBYSE, thence...

TAKEOFF RUNWAY 32: Climb on heading 318° to 520 for RADAR vectors to BBYSE, thence...

TAKEOFF RUNWAY 36: Climb on heading 359° to 520 for RADAR vectors to BBYSE, thence...

...on track 331° to SPICR, then on track 331° to WLLIS, then on track 332° to STYCK, then on (transition). Maintain ATC assigned altitude. Expect filed altitude 10 minutes after departure.

DOLEY TRANSITION (STYCK8.DOLEY)

WTSON TRANSITION (STYCK8.WTSON)

STYCK EIGHT DEPARTURE (RNAV)

GALVESTON, TEXAS

(STYCK8.STYCK) 07OCT21

SCHOLES INTL AT GALVESTON (GLS)

SC-5, 08 AUG 2024 to 05 SEP 2024

SC-5, 08 AUG 2024 to 05 SEP 2024