

WAAS CH 87108 W18A	APP CRS 181°	Rwy Idg TDZE Apt Elev	5001 685 685
--	------------------------	-----------------------------	---

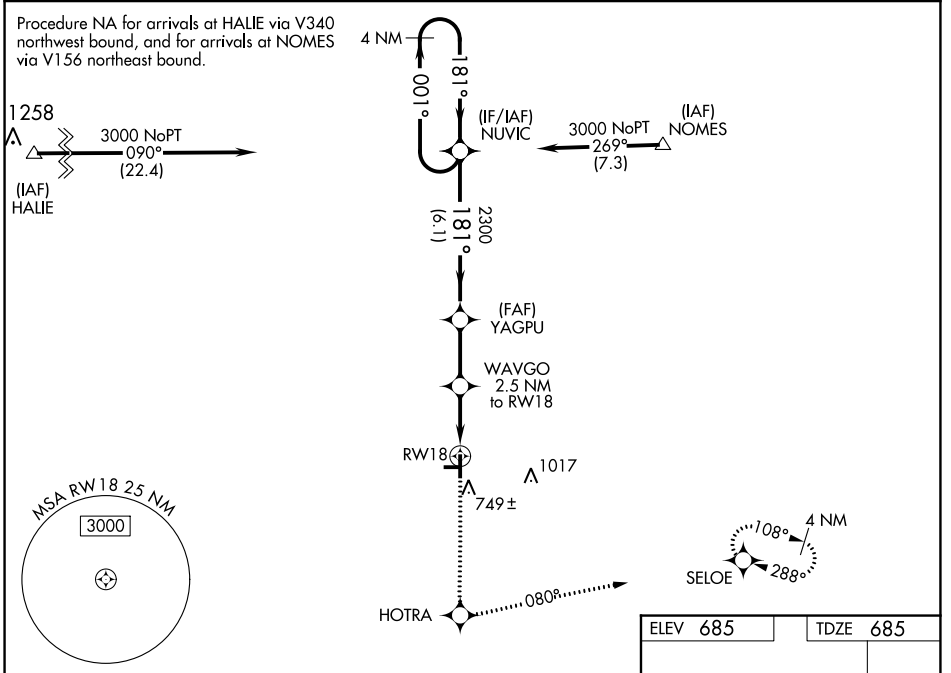
RNAV (GPS) RWY 18

STARKE COUNTY(OXI)

▼ DME/DME RNP-0.3 NA. Visibility reduction by helicopters NA. For uncompensated Baro-VNAV systems, LNAV/VNAV NA below -16°C (4°F) or above 47°C (116°F). Baro-VNAV and VDP NA when using South Bend altimeter setting. When local altimeter setting not received, use South Bend altimeter setting: increase LPV DA to 1015 feet and visibility all Cats ¼ SM; increase LNAV/VNAV DA to 1115 feet and visibility all Cats ¼ SM; increase all MDA 80 feet and visibility LNAV and Circling Cat C and D ¼ SM. Circling NA to Rwy 9 and 27.

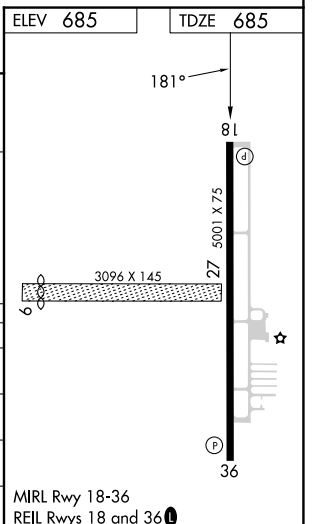
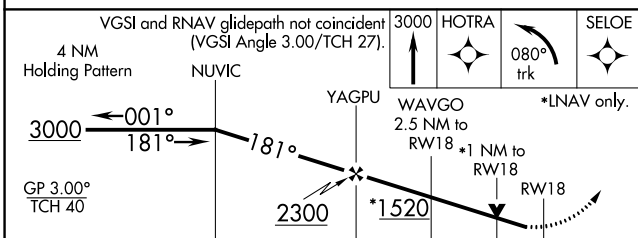
MISSED APPROACH:
Climb to 3000 direct HOTRA and left turn via 080° track to SELOE and hold.

AWOS-3 135.775	SOUTH BEND APP CON* 132.05 257.8	UNICOM 122.8 (CTAF) 0
--------------------------	--	---------------------------------



EC-2, 08 AUG 2024 to 05 SEP 2024

EC-2, 08 AUG 2024 to 05 SEP 2024



CATEGORY	A	B	C	D
LPV DA		935-1	250 (300-1)	
LNAV/ VNAV DA		1035-1¼	350 (400-1¼)	
LNAV MDA	1040-1	355 (400-1)		1040-1¼ 355 (400-1¼)
CIRCLING	1120-1 435 (500-1)	1140-1 455 (500-1)	1380-2 695 (700-2)	1380-2¼ 695 (700-2¼)

MIRL Rwy 18-36
REIL Rwy 18 and 36 0