

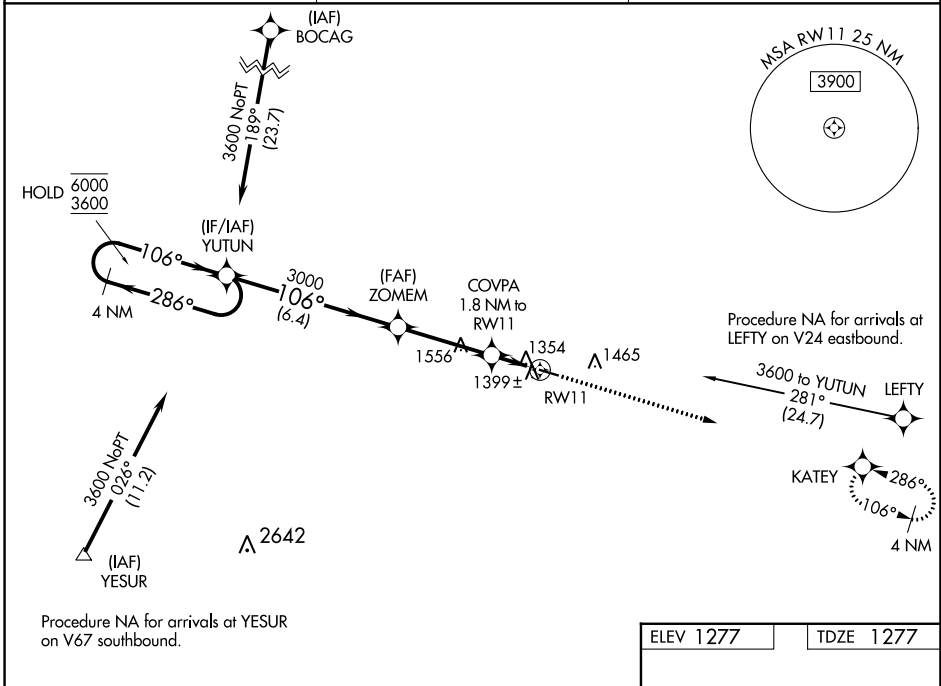
WAAS CH <b>65829</b> <b>W11A</b>	APP CRS <b>106°</b>	Rwy Idg TDZE Apt Elev	<b>4001</b> <b>1277</b> <b>1277</b>
--	------------------------	-----------------------------	---

# RNAV (GPS) RWY 11

FILLMORE COUNTY (FKA)

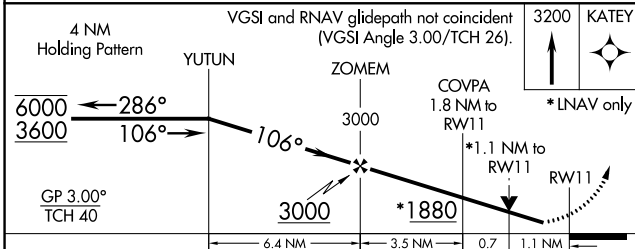
RNP APCH.	MISSED APPROACH: Climb to 3200 direct KATEY and hold.
<p><b>▼</b> Rwy 11 helicopter visibility reduction below 3/4 SM NA.</p> <p><b>▲</b> For uncompensated Baro-VNAV systems, LNAV/VNAV NA below -17°C or above 54°C.</p>	

AWOS-3PT <b>118.55</b>	ROCHESTER APP CON * <b>119.8 251.125</b>	CTAF <b>122.9 0</b>
---------------------------	---	------------------------

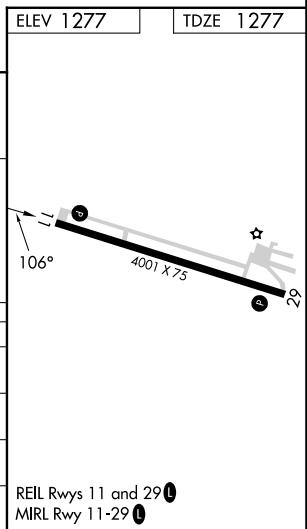


NC-1, 08 AUG 2024 to 05 SEP 2024

NC-1, 08 AUG 2024 to 05 SEP 2024



CATEGORY	A	B	C	D
LPV DA		1527-1 250 (300-1)		NA
LNAV/VNAV DA		1573-1 296 (300-1)		NA
LNAV MDA	1660-1	383 (400-1)	1660-1 3/8 383 (400-1 1/8)	NA
<b>C</b> CIRCLING	1700-1 423 (500-1)	1900-1 623 (700-1)	1900-1 3/4 623 (700-1 3/4)	NA



REL Rwy 11 and 29 0  
MIRL Rwy 11-29 0