

QUAD—CITY SPB (IØ4) 2 S UTC-6(-5DT) N41°27.60' W90°29.57'
 560 TPA—960(400) NOTAM FILE IKK
WATERWAY E-W: 10000X300 (WATER)

CHICAGO

WATERWAY E: Rgt tfc.

SERVICE: S2 FUEL 100LL

SEAPLANE REMARKS: Unattended. Radio or phone approval req by Moline twr. Call for svc and 100LL 304-314-0002. Svc by prior agreement. Waterway E p-line crosses river 300' E of hangar and dock area; highway bridge 300' W of hangar and dock area.

AIRPORT MANAGER: 309-314-0002

COMMUNICATIONS: CTAF 122.9

CLEARANCE DELIVERY PHONE: For CD ctc Chicago ARTCC at 630-906-8921.

COMM/NAV/WEATHER REMARKS: Tfc information avbl from Quad City twr on 119.4. Individual ops must be approved by Quad City twr on 119.4 or by telephone.

MOLINE N41°19.26' W90°38.29' NOTAM FILE MLI.
 (L) (L) **VORW/DME** 114.4 MZV Chan 91 033° 9.6 NM to Quad Cities Intl. 817/5E.
RCO 122.6 (KANKAKEE RADIO)

CHICAGO
H-5E, L-28H, A
IAP

MONEE

BULT FLD (C56) 3 SE UTC-6(-5DT) N41°22.65' W87°40.79'
 790 NOTAM FILE IKK

CHICAGO
H-5E, L-28H, A
IAP

RWY 09-27: H5001X75 (CONC) S-60 LIRL 0.4% up W

RWY 27: Thld dspcd 151'. Tree.

SERVICE: FUEL 100LL, JET A

AIRPORT REMARKS: Attended 1400-2300Z±. Birds and animals on and invof arpt. 100LL fuel avbl H24 with credit card. Jet A avbl aft hr with prior arrangement. Rwy 27 calm wind rwy.

AIRPORT MANAGER: (708) 534-8282

WEATHER DATA SOURCES: AWOS-AV 119.125 (708) 534-5256.

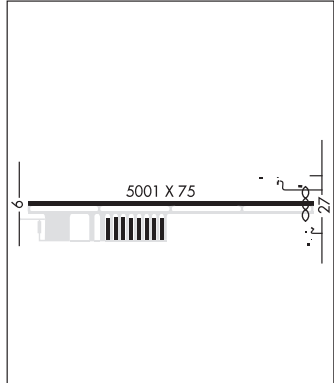
COMMUNICATIONS: CTAF/UNICOM 123.0

Ⓡ CHICAGO CENTER APP/DEP CON 132.5

CLEARANCE DELIVERY PHONE: For CD ctc Chicago ARTCC at 630-906-8921.

RADIO AIDS TO NAVIGATION: NOTAM FILE IKK.

PEOTONE (L) (L) VORTACW 113.2 EON Chan 79 N41°16.18' W87°47.46' 036° 8.2 NM to fld. 689/2E.



MONMOUTH MUNI (C66) 2 N UTC-6(-5DT) N40°55.78' W90°37.87'
 753 B NOTAM FILE IKK

CHICAGO
L-27B
IAP

RWY 03-21: H2899X60 (ASPH) S-10 MIRL

RWY 03: PAPI(P2L)—GA 3.5° TCH 29'. Tree.

RWY 21: PAPI(P2L)—GA 3.0° TCH 21'. Tree.

SERVICE: FUEL 100LL, MOGAS Lgt ACTIVATE PAPI Rwy 03 and Rwy 21; MIRL Rwy 03-21 preset low ints; to incr ints and ACTIVATE—CTAF.

AIRPORT REMARKS: Attended Tue-Sun 1400-2230Z±. After hrs fuel call 309-255-3455. Rwy 03 seasonal crops in part 77 sfc 200' from rwy end, 61' left.

AIRPORT MANAGER: 309-734-3411

COMMUNICATIONS: CTAF/UNICOM 122.8

Ⓡ QUAD CITY APP/DEP CON 133.275 (1130-0430Z±) CLNC DEL 120.7

Ⓡ CHICAGO CENTER APP/DEP CON 135.6 (0430-1130Z±)

CLEARANCE DELIVERY PHONE: For CD ctc Chicago ARTCC at 630-906-8921.

RADIO AIDS TO NAVIGATION: NOTAM FILE GBG.

GALESBURG (T) DME 109.8 GBG Chan 35 N40°56.24' W90°26.07' 267° 9.0 NM to fld. 760.

