

HOBART RGNL (HBR)(KHDR) 3 SE UTC-6(-5DT) N34°59.40' W99°03.18'

DALLAS-FT WORTH

1563 B NOTAM FILE HBR MON Airport

H-6H, L-17B

RWY 17-35: H5507X100 (ASPH) S-20 MIRL 0.4% up S

IAP

RWY 17: PAPI(P4L)—GA 3.0° TCH 35'.

RWY 35: PAPI(P4L)—GA 3.0° TCH 42'.

RWY 03-21: H2975X60 (ASPH) S-9.4 0.5% up SW

SERVICE: FUEL 100LL, JET A+

AIRPORT REMARKS: Attended Mon-Fri 1400-2200Z†. Fuel avbl 24 hr self svc with major credit card. Rwy 03 markings svrly faded. Rwy 21 markings svrly faded.

AIRPORT MANAGER: 580-726-2719

WEATHER DATA SOURCES: ASOS 133.325 (580) 726-6651.

COMMUNICATIONS: CTAF/UNICOM 122.8

RCO 122.2 (MC ALESTER RADIO)

Ⓡ ALTUS APP/DEP CON 125.1 (Mon-Fri 1500-0830Z†, clsd weekends and holidays. Other times ctc)

Ⓡ FORT WORTH CENTER APP/DEP CON 128.4

CLEARANCE DELIVERY PHONE: For CD if una to ctc on FSS freq, ctc Fort Worth ARTCC at 817-858-7584.

AIRSPACE: CLASS E.

RADIO AIDS TO NAVIGATION: NOTAM FILE HBR.

(L) (L) VORTACW 111.8 HBR Chan 55 N34°51.99'

W99°03.80' 354° 7.4 NM to fld. 1472/10E.

VOR unusable:

080°-120° byd 30 NM blo 4,000'

TACAN AZIMUTH unusable:

080°-090° byd 25 NM blo 4,500'

100°-112° byd 25 NM blo 4,500'

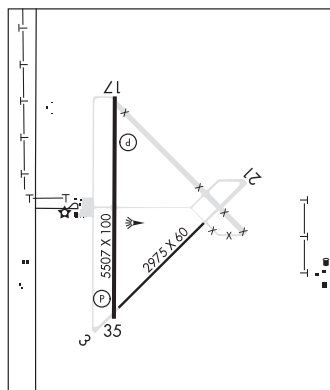
240°-270° byd 25 NM blo 4,500'

DME unusable:

080°-090° byd 25 NM blo 4,500'

100°-112° byd 25 NM blo 4,500'

240°-270° byd 25 NM blo 4,500'

**HOLDENVILLE MUNI** (F99) 1 NW UTC-6(-5DT) N35°05.15' W96°25.00'

DALLAS-FT WORTH

861 B NOTAM FILE MLC

L-17D

RWY 17-35: H3251X100 (CONC) S-30, D-42 MIRL(NSTD)

IAP

SERVICE: LGT Rwy 17-35 intens rwy lgts nstd dist fm rwy edge.

AIRPORT REMARKS: Unattended. 125' AGL silo, .3 nm W Rwy 35 thld.

AIRPORT MANAGER: 254-368-4635

COMMUNICATIONS: CTAF 122.9

Ⓡ FORT WORTH CENTER APP/DEP CON 132.2

CLEARANCE DELIVERY PHONE: For CD ctc Fort Worth ARTCC at 817-858-7584.

RADIO AIDS TO NAVIGATION: NOTAM FILE OKM.

OKMULGEE (VH) (DH) VORW/DME 114.9 OKM Chan 96 N35°41.58'

W95°51.96' 209° 45.3 NM to fld. 774/8E.

