

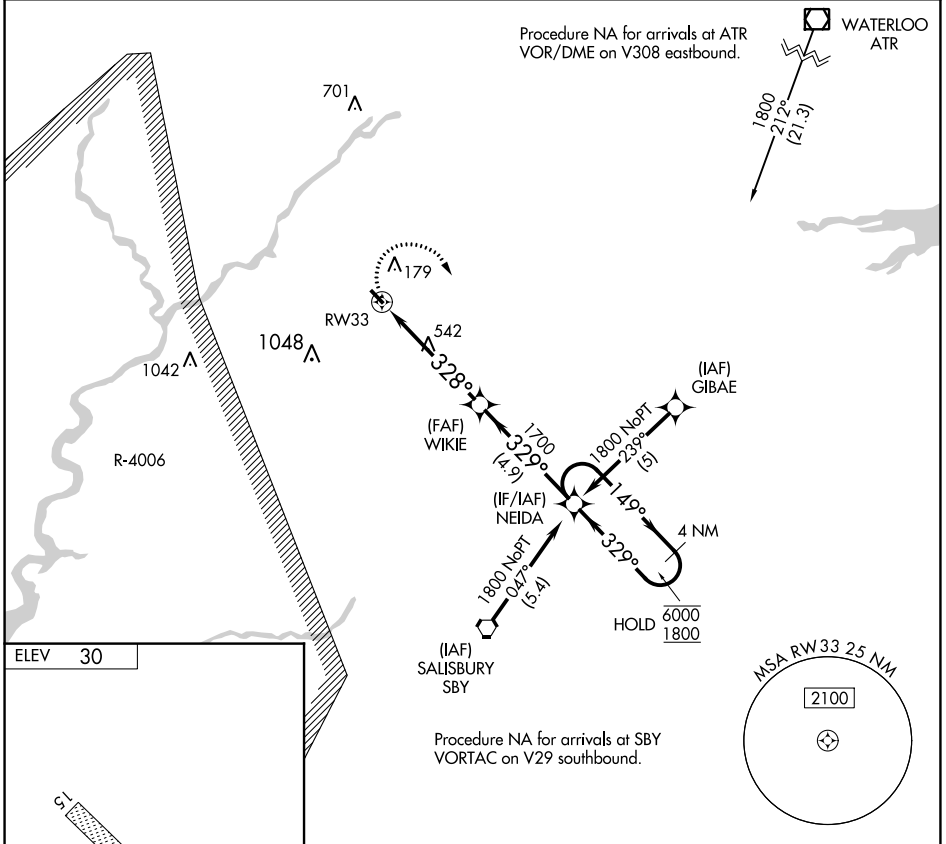
APP CRS 328°	Rwy Idg TDZE Apt Elev	N/A N/A 30
------------------------	-----------------------------	---------------------------------------

RNAV (GPS)-A

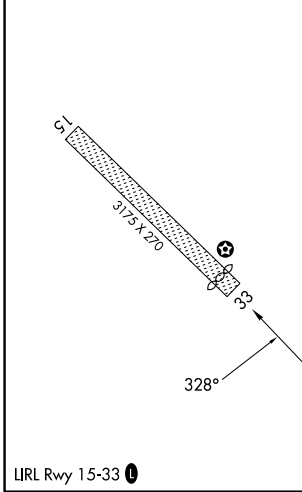
LAUREL (N06)

RNP APCH.	Procedure NA at night. Use Salisbury altimeter setting; when not received, use Georgetown altimeter setting.	MISSED APPROACH: Climbing right turn to 1800 direct NEIDA and hold.
-----------	--	---

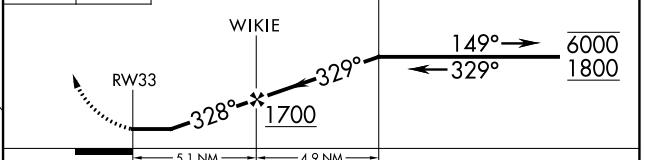
PATUXENT APP CON* 127.95 314.0	UNICOM 122.8 (CTAF) 0
--	---------------------------------



ELEV	30
------	----



1800	NEIDA	Visual Segment - Obstacles.	4 NM Holding Pattern
------	-------	-----------------------------	----------------------



CATEGORY	A	B	C	D
CIRCLING	880-1¼	850 (900-1¼)	NA	

NE-3, 05 SEP 2024 to 03 OCT 2024

NE-3, 05 SEP 2024 to 03 OCT 2024