

WAAS CH <b>97725</b> <b>W27A</b>	APP CRS <b>274°</b>	Rwy Idg TDZE Apt Elev	<b>3541</b> <b>288</b> <b>289</b>
--	------------------------	-----------------------------	---

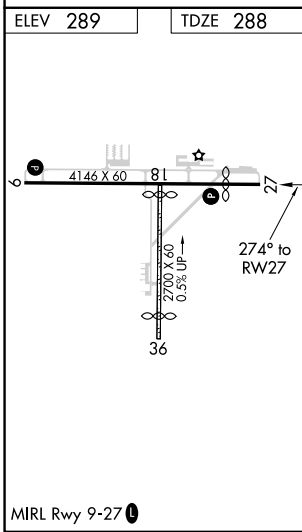
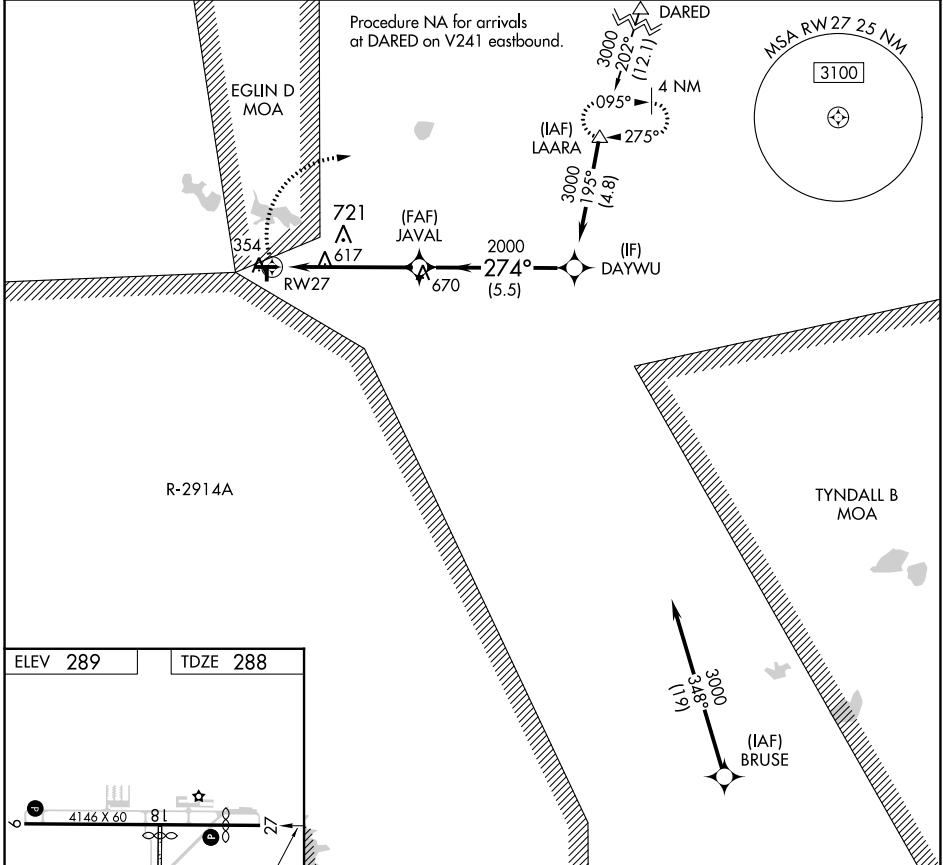
# RNAV (GPS) RWY 27

DEFUNIAK SPRINGS (54J)

RNP APCH.  
 ⚠ Circling NA to Rwy 18 and 36. Circling Rwy 9 NA at night.  
 ⚠ Rwy 27 helicopter visibility reduction below 3/4 SM NA.

MISSED APPROACH: Climbing right turn to 3000 direct LAARA and hold.

AWOS-3P <b>118.725</b>	EGLIN APP CON <b>124.05 284.65</b>	UNICOM <b>123.05 (CTAF) 0</b>
---------------------------	---------------------------------------	----------------------------------



3000	LAARA	Visual Segment - Obstacles.	DAYWU
	△	JAVAL	
		1.7 NM to RWY 27	
		2000	3000
		1.7 NM	3.6 NM
		5.5 NM	
		274°	
CATEGORY	A	B	C
LP MDA	880-1	592 (600-1)	NA
LNAV MDA	880-1	592 (600-1)	NA
	880-1	920-1	
Ⓢ CIRCLING	591 (600-1)	631 (700-1)	NA

SE-3, 05 SEP 2024 to 03 OCT 2024

SE-3, 05 SEP 2024 to 03 OCT 2024