

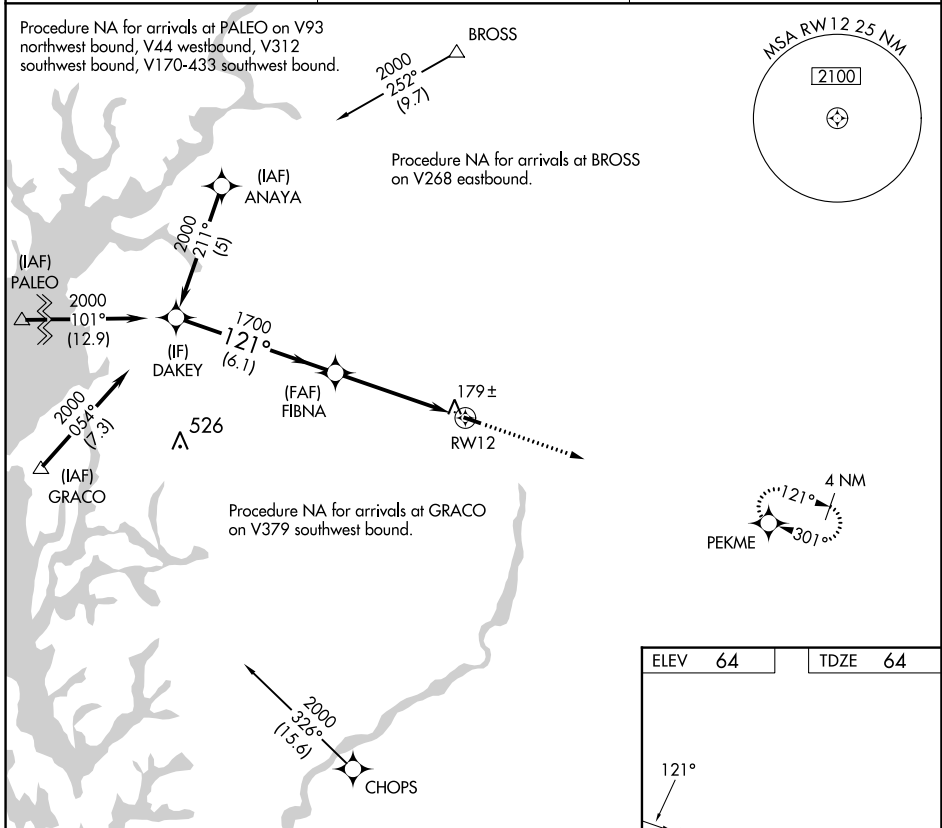
APP CRS	Rwy Idg	3214
121°	TDZE	64
	Apt Elev	64

RNAV (GPS) RWY 12

GOODEN AIRPARK (RJD)

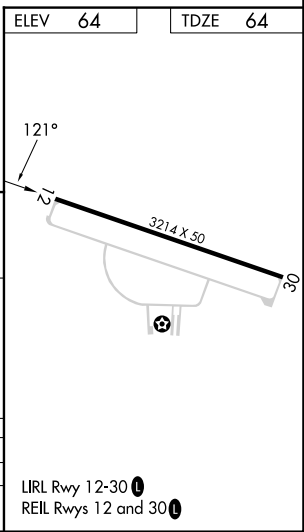
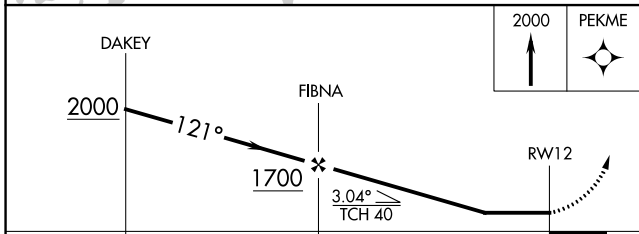
RNP APCH - GPS.	<p>Procedure NA at night. Use Easton altimeter setting: when not received, procedure NA. Rwy 12 helicopter visibility reduction below 1 SM NA.</p>	MISSED APPROACH: Climb to 2000 direct PEKME and hold.
-----------------	--	---

ESN AWOS-3PT 124.475	POTOMAC APP CON 124.55 317.425	UNICOM 122.8 (CTAF) 0
--------------------------------	--	---------------------------------



NE-3, 05 SEP 2024 to 03 OCT 2024

NE-3, 05 SEP 2024 to 03 OCT 2024



	6.1 NM		5 NM	
CATEGORY	A	B	C	D
LNAV MDA	480-1	416 (500-1)	NA	
CIRCLING	520-1	456 (500-1)	NA	