

WAAS CH 49035 W27A	APP CRS 273°	Rwy Idg TDZE 1198 Apt Elev 1198	3499
----------------------------------------	------------------------	-----------------------------------------------------	-------------

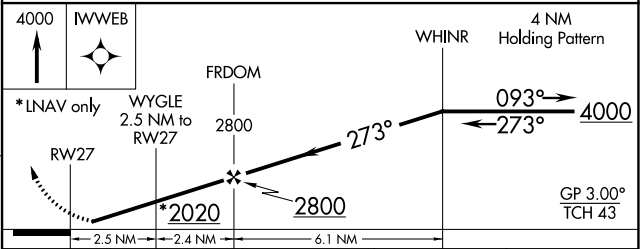
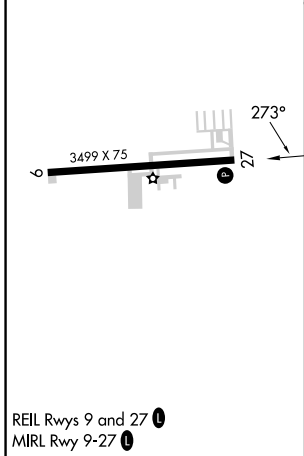
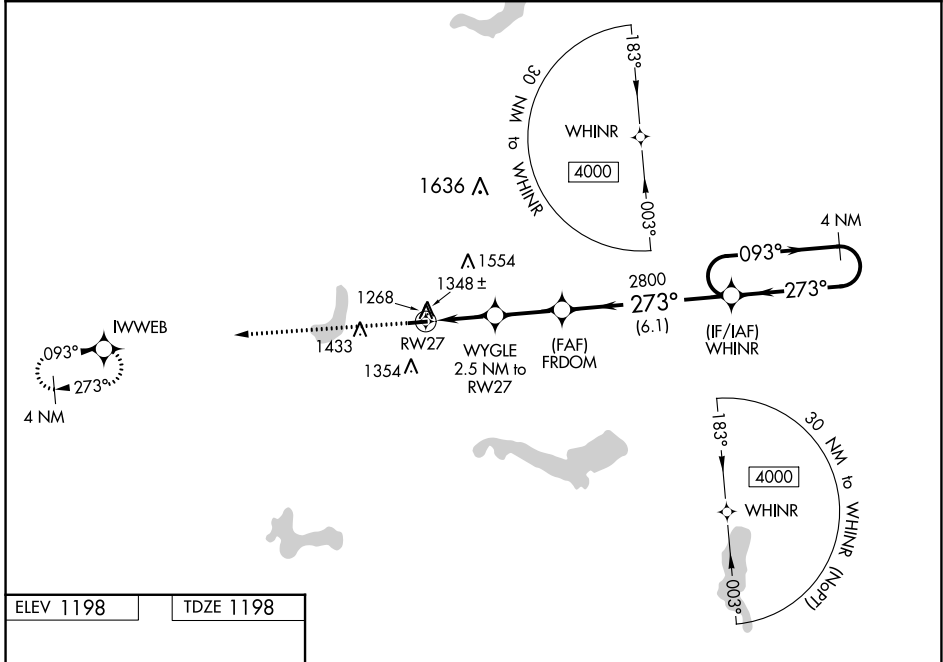
RNAV (GPS) RWY 27

PORTAGE COUNTY (POV)

⚠ Baro-VNAV NA when using Akron-Canton Rgnl altimeter setting. For uncompensated Baro-VNAV systems, LNAV/VNAV NA below -17°C (2°F) or above 54°C (130°F). DME/DME RNP-0.3 NA.
⚠ When local altimeter setting not received, use Akron-Canton Rgnl altimeter setting and increase all DA 50 feet and all MDA 60 feet; increase LPV all Cats visibility 1/8 mile, LNAV/VNAV all Cats visibility 1/4 mile and Circling Cat C visibility 1/4 mile. Helicopter visibility reduction below 1 SM NA. Night landing Cat C: Procedure NA.

MISSED APPROACH:
Climb to 4000 direct IWWEB and hold.

AWOS-3 118.675	CLEVELAND APP CON* 125.5 371.875	CLNC DEL 125.65	UNICOM 123.05 (CTAF) 1
--------------------------	--------------------------------------------	---------------------------	----------------------------------



CATEGORY	A	B	C	D
LPV DA	1471-1 273 (300-1)			NA
LNAV/VNAV DA	1546-1 1/8 348 (400-1 1/8)			NA
LNAV MDA	1640-1 442 (500-1)	1640-1 3/8 442 (500-1 3/8)		NA
C CIRCLING	1740-1 542 (600-1)	1800-1 602 (700-1)	1920-2 722 (800-2)	NA

EC-2, 03 OCT 2024 to 31 OCT 2024

EC-2, 03 OCT 2024 to 31 OCT 2024