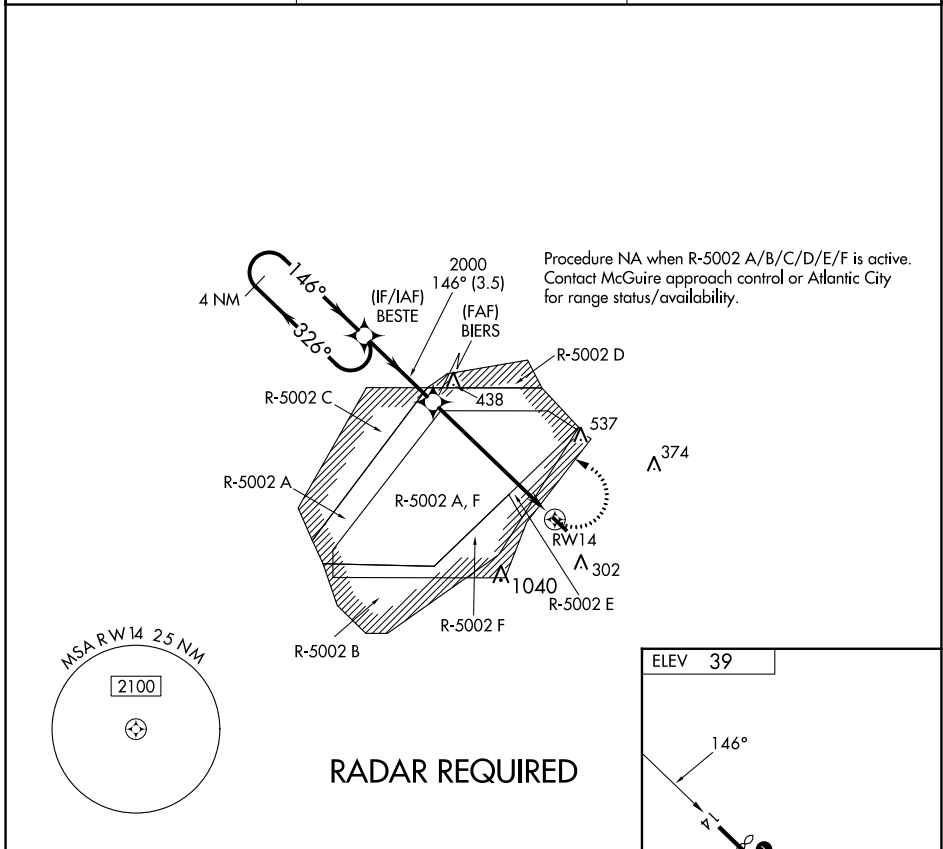


APP CRS	Rwy Idg	N/A
146°	TDZE	N/A
	Apt Elev	39

# RNAV (GPS)-A

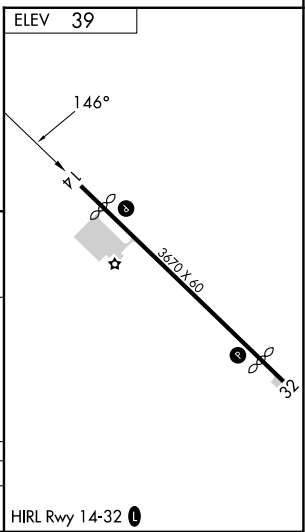
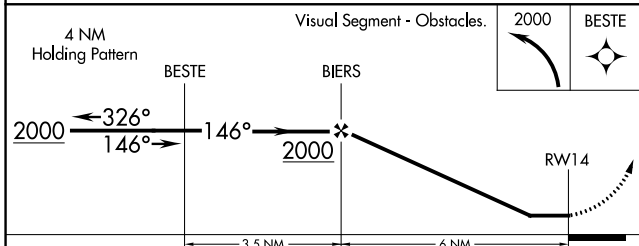
EAGLES NEST (31E)

<p><b>▽</b> DME/DME RNP-0.3 NA. Procedure NA at night. Use Toms River altimeter setting; when not received use Atlantic City altimeter setting. Helicopter visibility reduction below 1 SM NA.</p> <p><b>▲</b> NA</p>	<p>MISSED APPROACH: Climbing left turn to 2000 direct BESTE and hold.</p>	
<p>MJX AWOS-3PT <b>119.875</b></p>	<p>ATLANTIC CITY APP CON <b>134.25 292.2</b></p>	<p>CTAF <b>122.9 0</b></p>



NE-2, 03 OCT 2024 to 31 OCT 2024

NE-2, 03 OCT 2024 to 31 OCT 2024



CATEGORY	A	B	C	D
<b>C</b> CIRCLING	680-1 641 (700-1)	700-1 661 (700-1)	NA	