

STAFFORD RGNL (RMN)(KRMN) 3 SW UTC-5(-4DT) N38°23.95' W77°27.40'

WASHINGTON

219 B NOTAM FILE RMN

H-10H, 12I, L-29E, 34E, 36I, A

RWY 15-33: H6000X100 (ASPH-GRVD) S-30, D-70, 2S-89 HIRL

IAP

0.8% up NW

RWY 15: REIL. PAPI(P4L)—GA 3.0° TCH 45'. Trees.

RWY 33: MALS. PAPI(P4L)—GA 3.0° TCH 47'. Trees.

SERVICE: S2 **FUEL** 100LL, JET A **OX** 4 **LGT** ACTVT MALS Rwy 33; REIL Rwy 15; PAPI Rwy 15 and Rwy 33; HIRL Rwy 15-33—CTAF.

NOISE: Noise: In eff 24 hrs. VFR acct departing Rwy 33 fly rwy heading until baseball fields 1 NM then turn left.

AIRPORT REMARKS: Attended 1300-2300Z‡. Unatndd Thanksgiving, Christmas, & New Years days. Deer and flocks of birds on and infov arpt. Govt contr fuel. Fuel avbl until 2300Z‡; after hrs call 540-288-3838 within 12 hrs notice. Anti-icing fuel additive avbl.

AIRPORT MANAGER: 540-658-1212

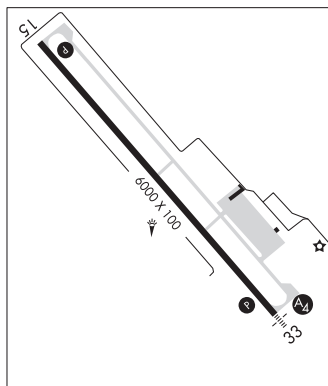
WEATHER DATA SOURCES: AWOS-3 126.325 (540) 657-8283.

COMMUNICATIONS: CTAF/UNICOM 122.725

Ⓡ **QUANTICO APP/DEP CON** 127.05 (Mon and Fri 1300-2200Z‡ Tue, Wed and Thu 1300-0200Z‡, exc Sat, Sun and holidays, other times ctc

Ⓡ **POTOMAC APP/DEP CON** 128.525

CLEARANCE DELIVERY PHONE: GCO avbl on freq 135.075 serviced by Quantico and Potomac app. If una, for CD ctc Potomac Apch at 866-709-4993.



RADIO AIDS TO NAVIGATION: NOTAM FILE DCA.

BROOKE (L) VORTAC 114.5 BRV Chan 92 N38°20.18' W77°21.17' 317° 6.2 NM to fld. 145/9W.

DME unusable:

011°-060° byd 20 NM

061°-120°

121°-161° byd 17 NM

162°-238°

239°-249° byd 5 NM

250°-010°

VOR unusable:

001°-360°

TACAN AZIMUTH unusable:

011°-060° byd 20 NM

061°-120°

121°-161° byd 17 NM

162°-238°

239°-249° byd 5 NM

250°-010°

SHANNON NDB (MHW) 237 EZF N38°15.98' W77°27.03' 008° 8.0 NM to fld. 83/10W. NOTAM FILE EZF. NDB unmonitored when arpt unatndd.

NDB unusable:

Byd 15 NM

ILS/DME 108.75 I-RMN Chan 24(Y) Rwy 33. Class IT.

COMM/NAV/WEATHER REMARKS: GCO avbl on freq 135.075 serviced by Quantico and Potomac App. If una, for CD ctc Potomac Apch at 866-709-4993.