

BELMONT**TISHOMINGO CO** (Ø1M) 2 S UTC-6(-5DT) N34°29.51' W88°12.07'

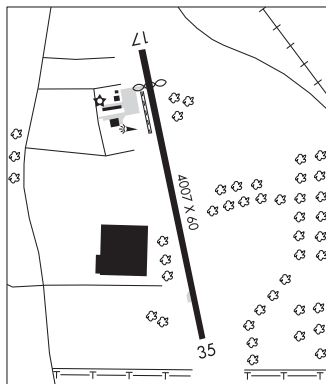
MEMPHIS

584 B NOTAM FILE GWO

L-18H

RWY 17-35: H4007X60 (ASPH) S-20 MIRL**RWY 17:** Thld dspcd 495'. Trees.**RWY 35:** Tree.**SERVICE: FUEL** 100LL **LGT** ACTVT MIRL Rwy 17-35—CTAF.**AIRPORT REMARKS:** Unattended. 110LL fuel svc 24 hrs with credit card.

For fuel and svc aft hrs call 662-279-0310.

AIRPORT MANAGER: 662-279-0310**COMMUNICATIONS:** CTAF/UNICOM 122.8**CLEARANCE DELIVERY PHONE:** For CD ctc Memphis ARTCC at 901-368-8453/8449.**BELZONI MUNI** (1M2) 3 SW UTC-6(-5DT) N33°08.71' W90°30.92'

MEMPHIS

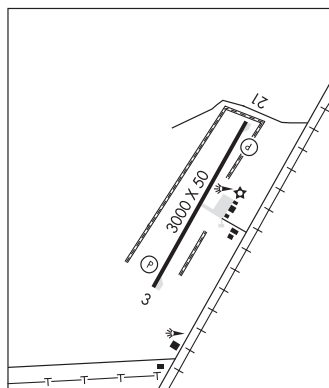
110 B NOTAM FILE GWO

L-18G

RWY 03-21: H3000X50 (ASPH) S-24 MIRL**RWY 03:** PAPI(P2L)—GA 3.0° TCH 40'. P-line.**RWY 21:** PAPI(P2L)—GA 3.0° TCH 40'.**SERVICE: FUEL** 100LL **LGT** MIRL Rwy 03-21 preset low intst; higher intst ACTVT—CTAF.**AIRPORT REMARKS:** Unattended. 100LL self svc avbl 24 hrs via credit card.**AIRPORT MANAGER:** 662-962-4840**COMMUNICATIONS:** CTAF 122.9**CLEARANCE DELIVERY PHONE:** For CD ctc Memphis ARTCC at 901-368-8453/8449.**RADIO AIDS TO NAVIGATION:** NOTAM FILE GWO.**SIDON (VH) (H) VORTAC** 114.7 SQS Chan 94 N33°27.83' W90°16.64' 209° 22.5 NM to fld. 127/3E.

VOR unusable:

059°-069° byd 40 NM

**BIGBEE** N33°29.13' W88°30.82' NOTAM FILE GWO.

MEMPHIS

(L) (L) **VORTACW** 116.2 IGB Chan 109 236° 4.5 NM to Golden Triangle Rgnl. 245/4E.

H-6J, L-18H

VOR portion unusable:

010°-020°

200°-260° blo 5,000'

RCO 122.4 (GREENWOOD RADIO)