

| | | |
|--|------------------------|---|
| WAAS CH 86421 W28A | APP CRS 282° | Rwy Idg 4184 TDZE 430 Apt Elev 437 |
|--|------------------------|---|

RNAV (GPS) RWY 28

MACON DOWNTOWN (MAC)

RNP APCH-GPS.

⚠ Baro-VNAV NA. Rwy 28 helicopter visibility reduction below $\frac{3}{4}$ SM NA.
⚠ NA Use Middle Georgia altimeter setting, when not received, use Robbins AFB altimeter setting and increase LPV DA to 726 feet, increase LNAV/VNAV DA to 1063 feet and increase all MDAs 20 feet.

MISSED APPROACH: Climb to 3000 direct HAVIM and hold.

MCN ASOS

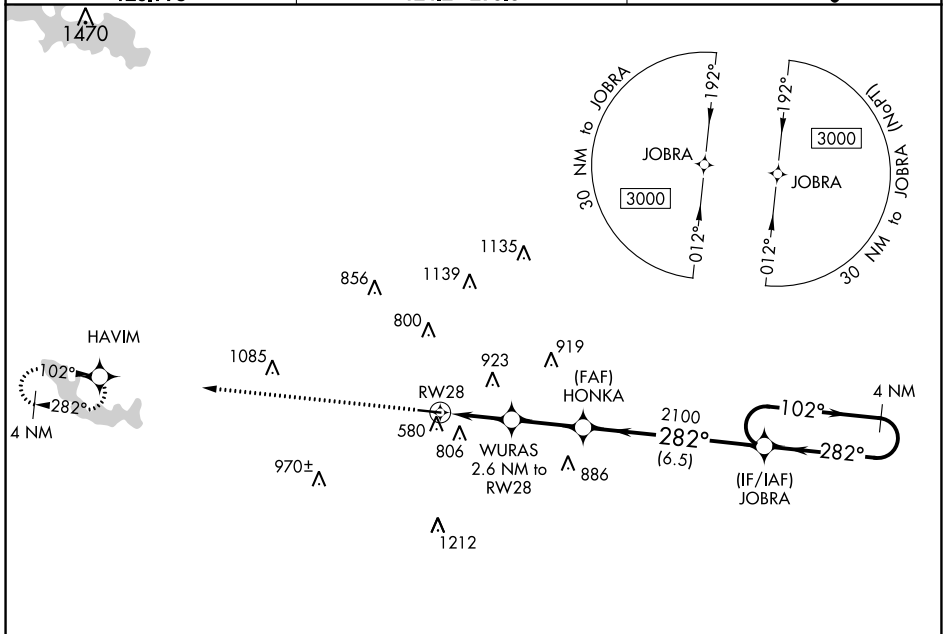
120.775

ATLANTA APP CON*

124.2 279.6

UNICOM

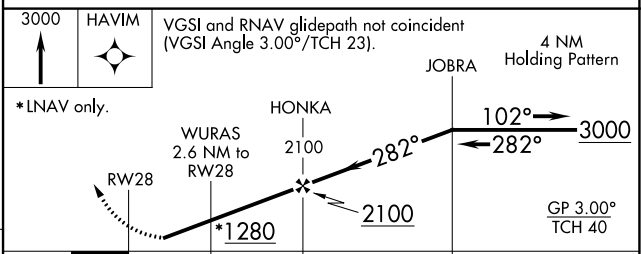
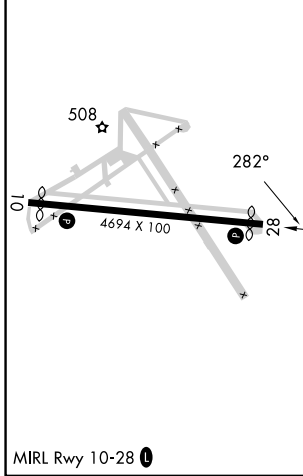
123.0 (CTAF) **U**



SE-4, 31 OCT 2024 to 28 NOV 2024

SE-4, 31 OCT 2024 to 28 NOV 2024

| | | |
|-----------------|----------|-----------------|
| ELEV 437 | D | TDZE 430 |
|-----------------|----------|-----------------|



| CATEGORY | A | B | C | D |
|-------------------|--------|-------------|-------------------------|-------------------------|
| LPV DA | | 712-1 | 282 (300-1) | |
| LNAV/VNAV DA | | 1049-2½ | 619 (700-2½) | |
| LNAV MDA | 980-1 | 550 (600-1) | 980-1½ | 550 (600-1½) |
| C CIRCLING | 1200-1 | 763 (800-1) | 1320-2¾ 883 (900-2¾) | 1480-3 1043 (1100-3) |