

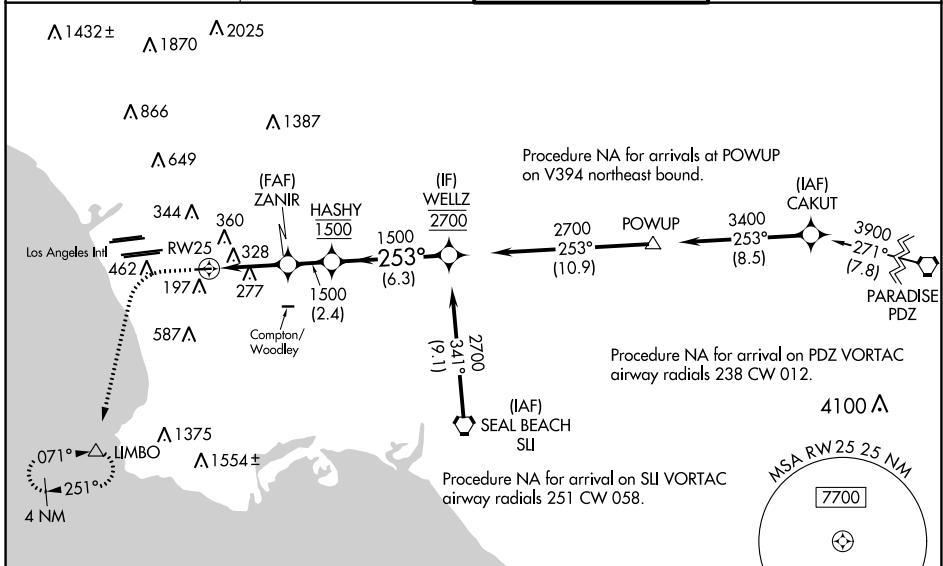
WAAS CH 65825 W25A	APP CRS 253°	Rwy Idg 4194 TDZE 63 Apt Elev 66
--	------------------------	---

RNAV (GPS) RWY 25

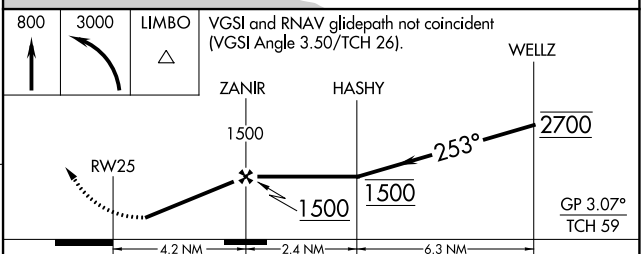
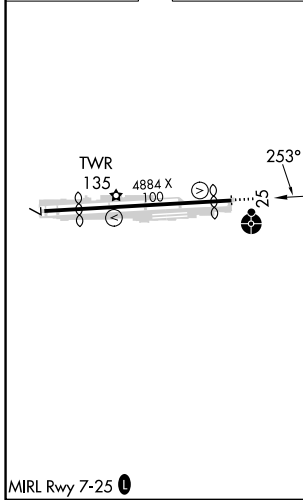
JACK NORTHROP FLD/HAWTHORNE MUNI (HHR)

RNP APCH - GPS.		MISSED APPROACH: Climb to 800 then climbing left turn to 3000 direct LIMBO and hold, continue climb-in-hold to 3000.
Circling NA north of Rwy 7-25. Rwy 25 helicopter visibility reduction below 1 SM NA. For uncompensated Baro-VNAV systems, LNAV/VNAV NA below 5°C or above 54°C. Inop table does not apply. Simultaneous approach authorized. LNAV procedure NA during simultaneous operations. Use of FD or AP required during simultaneous operations. Circling Rwy 7 NA at night.		

ATIS 118.4	SOCAL APP CON 124.9 269.0	HAWTHORNE TOWER ★ 121.1 (CTAF) 0 257.8	GND CON 125.1
----------------------	-------------------------------------	---	-------------------------



ELEV 66	D TDZE 63
---------	------------------



CATEGORY	A	B	C	D
LPV DA		577-1 $\frac{3}{8}$	514 (600-1 $\frac{3}{8}$)	
LNAV/VNAV DA		580-1 $\frac{3}{8}$	517 (600-1 $\frac{3}{8}$)	
LNAV MDA	580-1	517 (600-1)	580-1 $\frac{3}{8}$	517 (600-1 $\frac{3}{8}$)
C CIRCLING	620-1	554 (600-1)	780-2 714 (800-2)	780-2 $\frac{1}{4}$ 714 (800-2 $\frac{1}{4}$)

SW-3, 31 OCT 2024 to 28 NOV 2024

SW-3, 31 OCT 2024 to 28 NOV 2024