

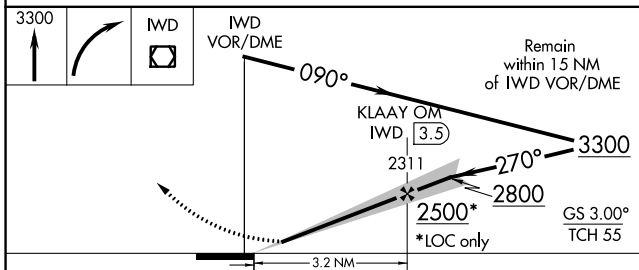
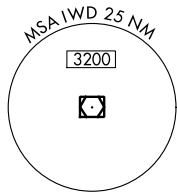
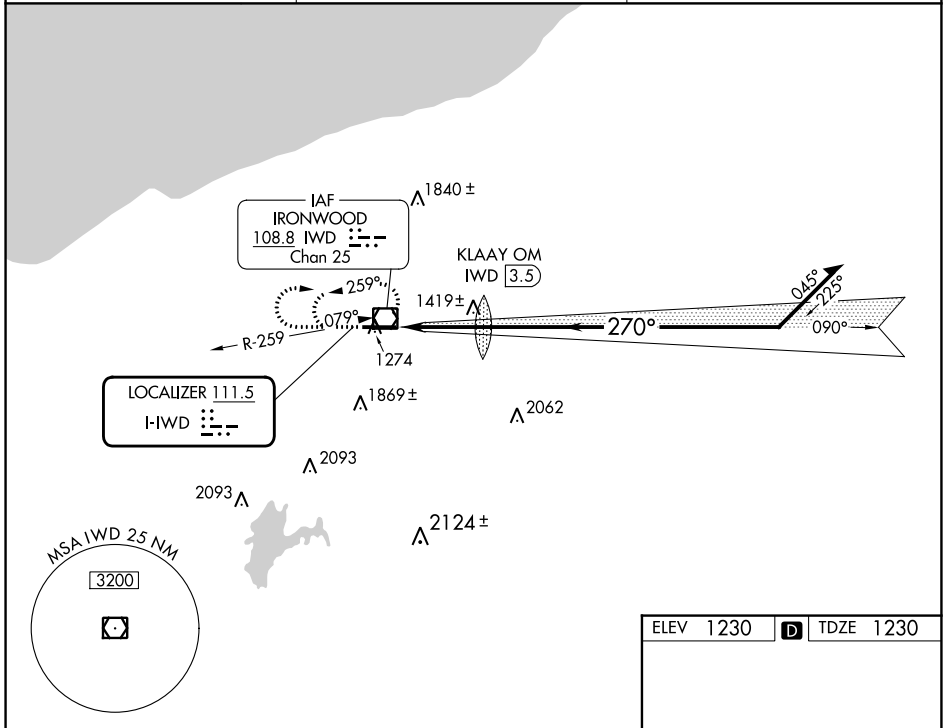
LOC I-IWD 111.5	APP CRS 270°	Rwy ldg 6501 TDZE 1230 Apt Elev 1230
---------------------------	------------------------	--

ILS or LOC RWY 27

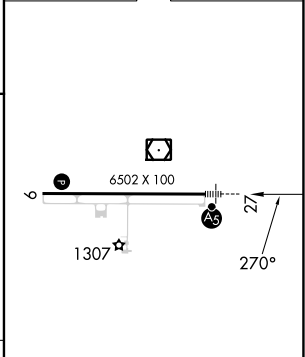
GOGEBIC/IRON COUNTY (IWD)

<p>NA -27°C</p>	<p>When local altimeter setting not received, use Ashland altimeter setting: increase DA to 1562 feet; increase all MDA 140 feet and S-LOC 27 Cat C/D visibility 1/2 SM and Circling Cat B visibility 1/4 SM. For inop ALS when using Ashland altimeter setting, increase S-ILS 27 all Cats visibility to 1.</p>	<p>MALSR</p>	<p>MISSED APPROACH: Climb to 3300 then right turn direct IWD VOR/DME and hold.</p>
----------------------------	--	--------------	--

AWOS-3PT 125.175	MINNEAPOLIS CENTER 133.55	UNICOM 122.8 (CTAF)
----------------------------	-------------------------------------	-------------------------------



ELEV 1230	D	TDZE 1230
-----------	---	-----------



CATEGORY	A	B	C	D
S-ILS 27		1430-1/2	200 (200-1/2)	
S-LOC 27	1720-1/2	490 (500-1/2)	1720-3/4 490 (500-3/4)	1720-1 490 (500-1)
CIRCLING	2100-1 1/4	870 (900-1 1/4)	2200-3 970 (1000-3)	2220-3 990 (1000-3)

REIL Rwy 9	
HIRL Rwy 9-27	
FAF to MAP 3.2 NM	
Knots	60 90 120 150 180
Min:Sec	3:12 2:08 1:36 1:17 1:04

EC-1, 31 OCT 2024 to 28 NOV 2024

EC-1, 31 OCT 2024 to 28 NOV 2024